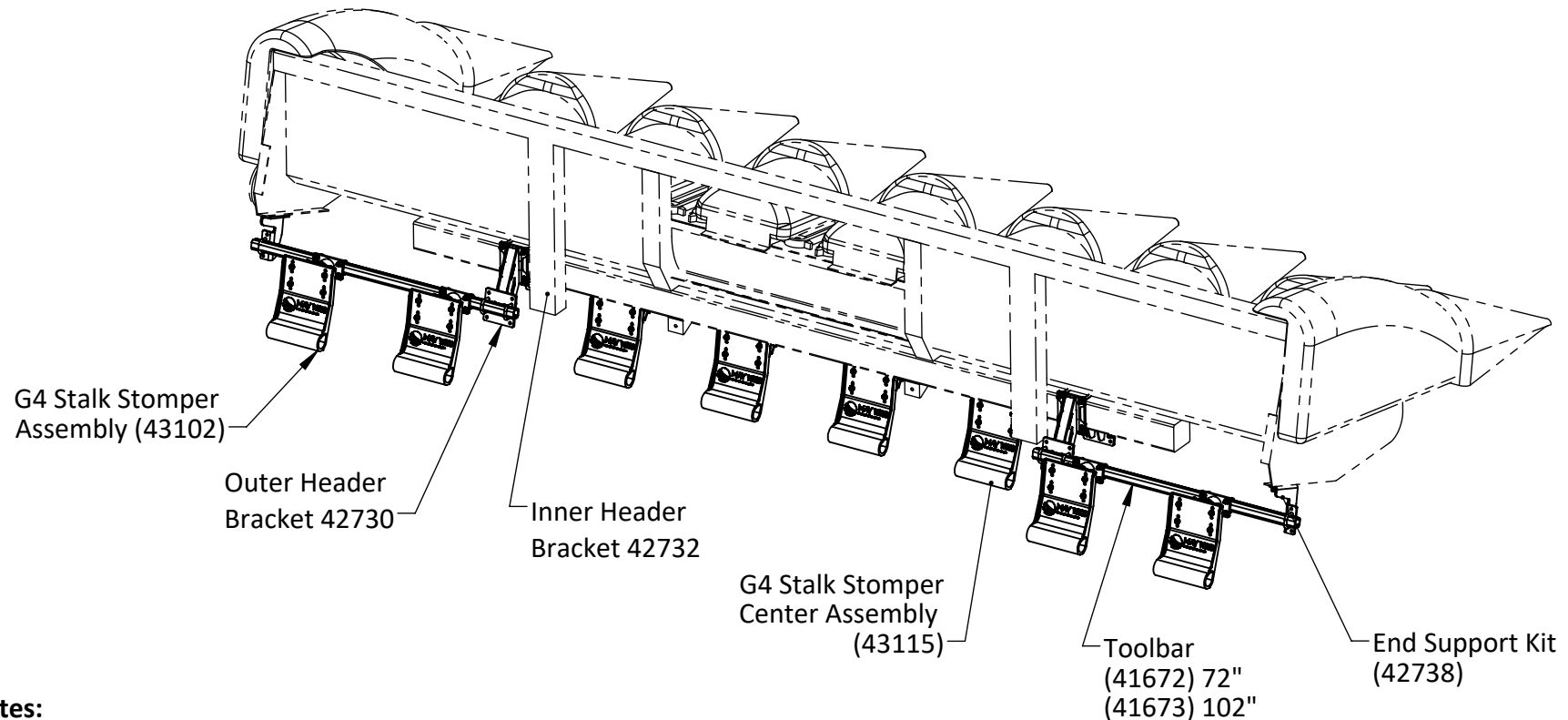


# John Deere C Series Corn Head G4 TOOLBAR MOUNT STALK STOMPER



## CAUTION

PLEASE REFER TO YOUR EQUIPMENT MANUFACTURER'S OPERATORS MANUAL FOR PERTINENT SAFETY PRECAUTIONS



### Notes:

- Illustration shown is for reference purposes only, locations of items may vary. Please refer to individual component parts listings for specific information.
- Due to variation of implement configurations, row coverage under the feeder house may not be applicable.
- \*\* Toolbar is not included in all kits. If a kit without Toolbar was ordered, the customer is responsible for providing required Toolbar.

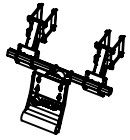


120 Eastgate Drive SE  
Hutchinson, MN 55350

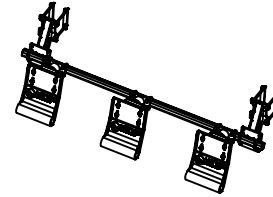
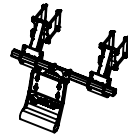
1-800-788-6483  
1-320-587-2322  
1-320-587-6112 (Fax)

WWW.MAYWES.COM

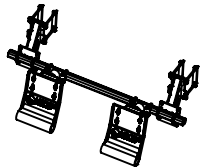
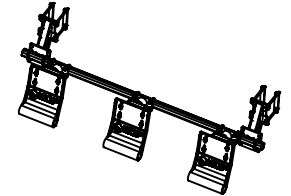
# John Deere C Series Corn Head G4 TOOLBAR MOUNT STALK STOMPER



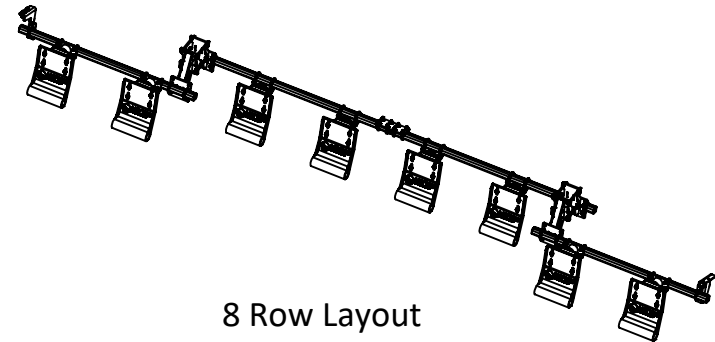
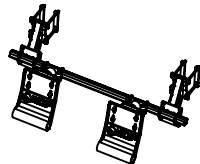
2 Row Layout



6 Row Layout



4 Row Layout



8 Row Layout

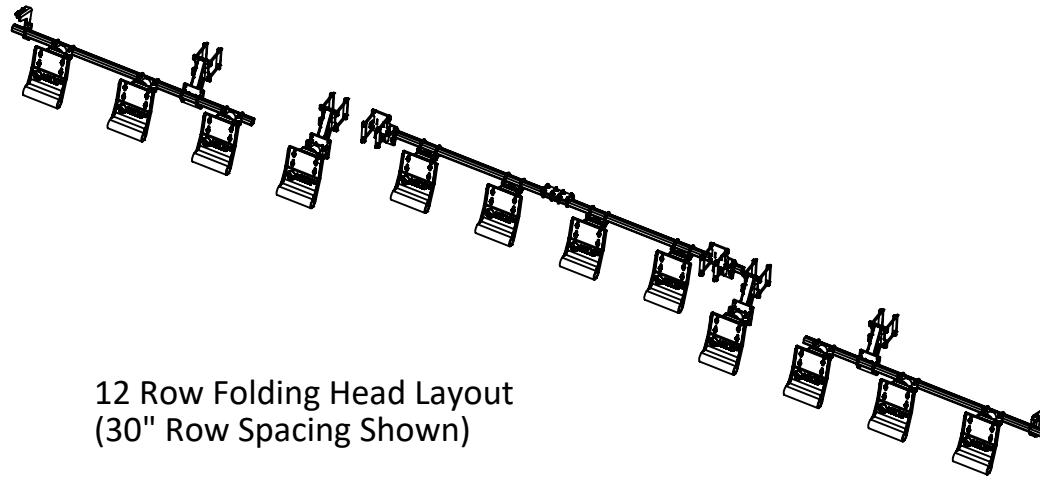
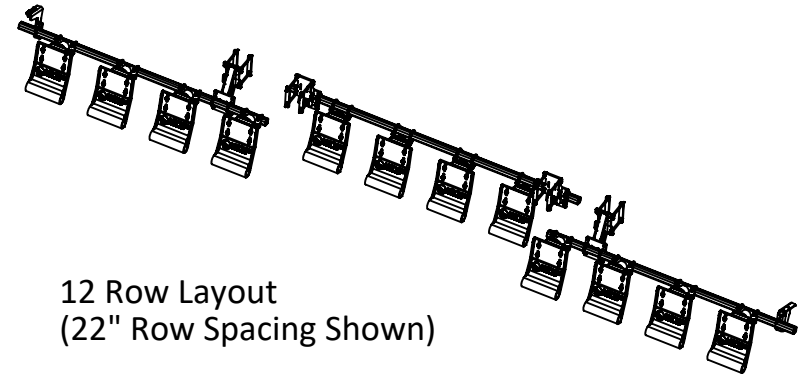
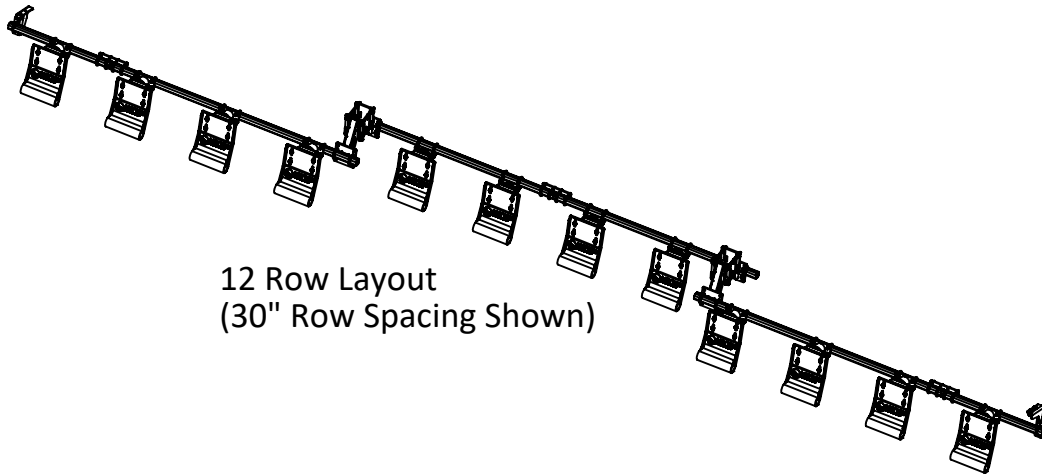


120 Eastgate Drive SE  
Hutchinson, MN 55350

1-800-788-6483  
1-320-587-2322  
1-320-587-6112 (Fax)

[WWW.MAYWES.COM](http://WWW.MAYWES.COM)

# John Deere C Series Corn Head G4 TOOLBAR MOUNT STALK STOMPER

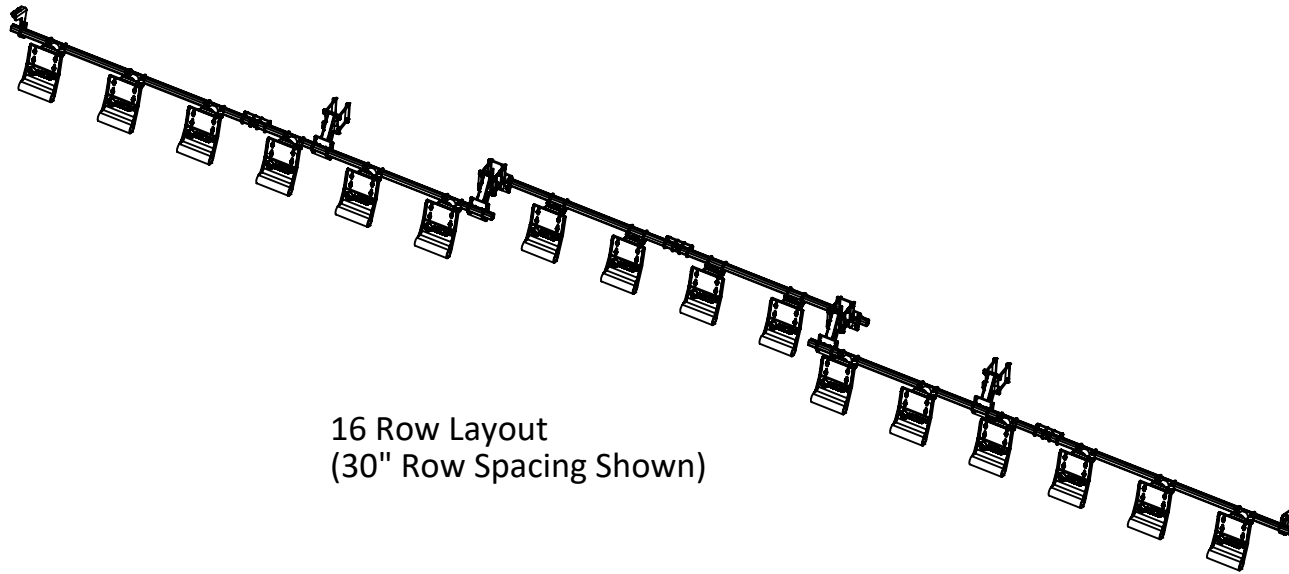


120 Eastgate Drive SE  
Hutchinson, MN 55350

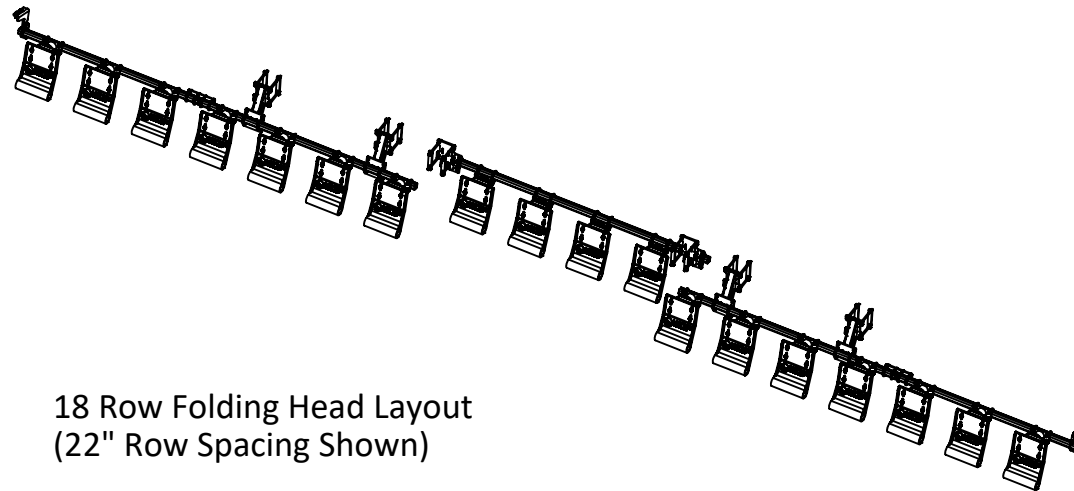
1-800-788-6483  
1-320-587-2322  
1-320-587-6112 (Fax)

[WWW.MAYWES.COM](http://WWW.MAYWES.COM)

# John Deere C Series Corn Head G4 TOOLBAR MOUNT STALK STOMPER



16 Row Layout  
(30" Row Spacing Shown)



18 Row Folding Head Layout  
(22" Row Spacing Shown)



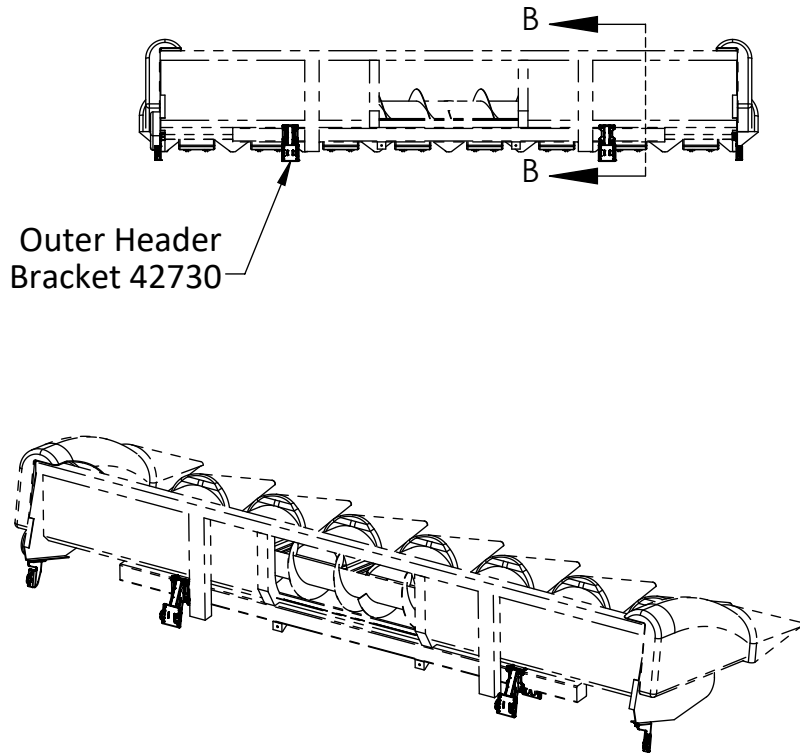
**MAY WES**  
*Original Poly People*  
A DIVISION OF PRIDE SOLUTIONS

120 Eastgate Drive SE  
Hutchinson, MN 55350

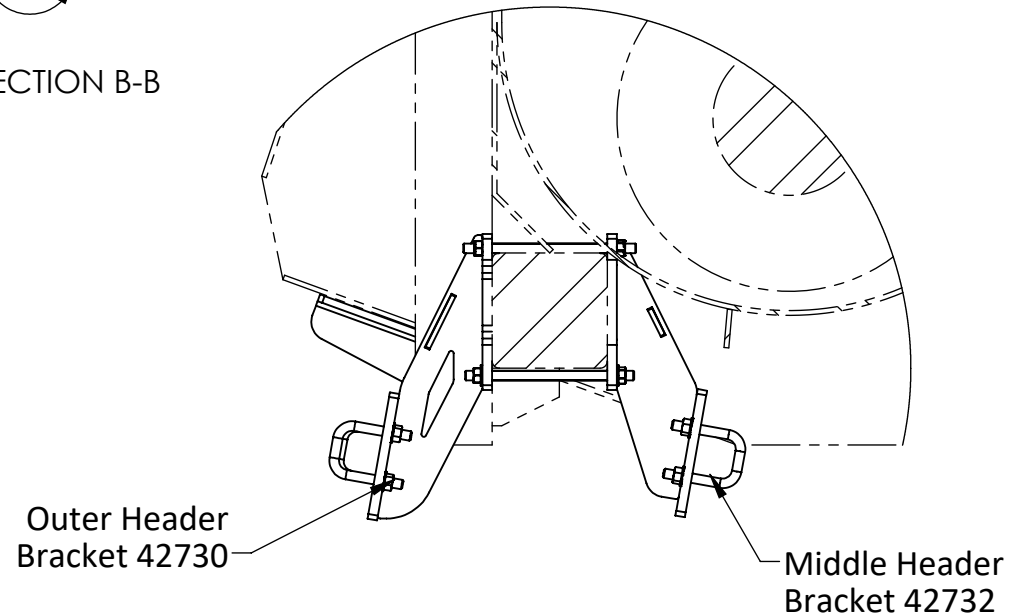
1-800-788-6483  
1-320-587-2322  
1-320-587-6112 (Fax)

[WWW.MAYWES.COM](http://WWW.MAYWES.COM)

# John Deere C Series Corn Head G4 TOOLBAR MOUNT STALK STOMPER



SECTION B-B



## Installation Procedure:

- Park combine on level ground and lock the brakes. Raise the head and lock in the upright position.
- Mount the Header Brackets to the 6" x 6" frame beam just outside of the vertical frame tubes on the rear of the corn head using the straps, washers, bolts and nuts supplied.
- Mount the inner brackets (42732) to the inside of the 6 x 6 frame beam.  
This may need to be positioned on the inside of the frame upright, for most typical narrow row (20" and 22") installations.  
Mount the brackets Back to Back, using common bolts on most typical 30" row spacing installations.

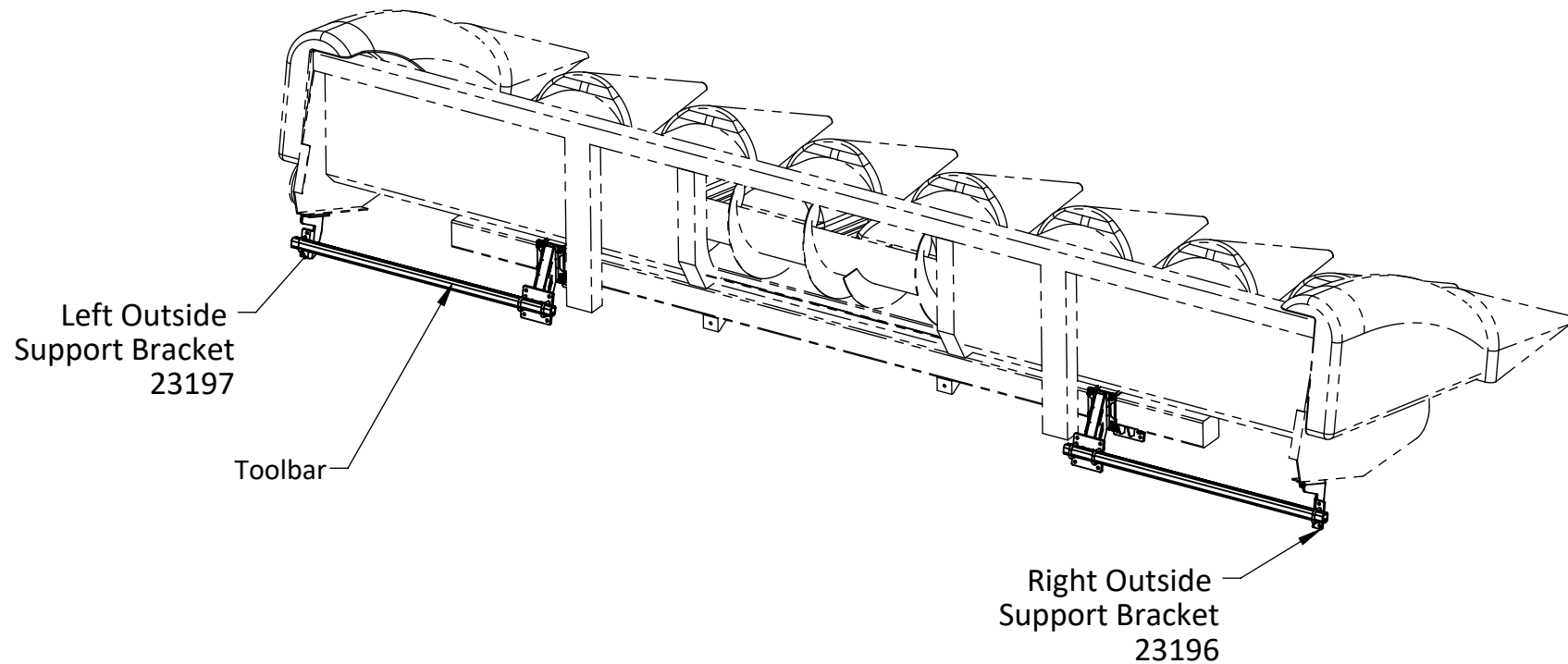


120 Eastgate Drive SE  
Hutchinson, MN 55350

1-800-788-6483  
1-320-587-2322  
1-320-587-6112 (Fax)

WWW.MAYWES.COM

## John Deere C Series Corn Head G4 TOOLBAR MOUNT STALK STOMPER



### Installation Procedure:

- Install the Left Outside Support Bracket (23197) using the existing hardware on the head
- Install the Right Outside Support Bracket (23196) using the hardware included with the kit
- Install toolbars to the Brackets using the 2" U-bolts provided with the kit.
- Toolbars will need to be cut to length and connected with Splice Plates, depending on number of rows and row spacing.

**Note:** Toolbar is not included in all kits. If a kit without Toolbar was ordered, the customer is responsible for providing required Toolbar.



120 Eastgate Drive SE  
Hutchinson, MN 55350

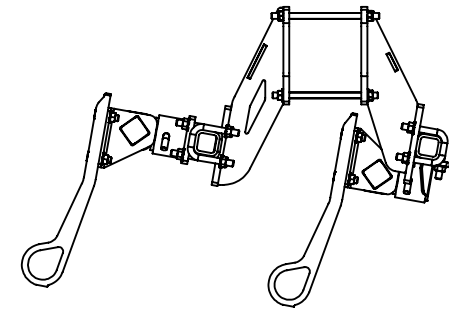
1-800-788-6483  
1-320-587-2322  
1-320-587-6112 (Fax)

[WWW.MAYWES.COM](http://WWW.MAYWES.COM)

# Center Row Installation

## Installing Shoes under the Feeder House

Direction of Travel →



### Shoe Assembly Under the Feeder House

- Attach tool bar mount (43111) to the bottom side of the toolbar as in Fig 1
- Assemble the Torsion Unit to the Shoe as shown in Figure 2
- Assemble the shoe assembly into the tool bar mount as shown in Fig 3



Figure 1

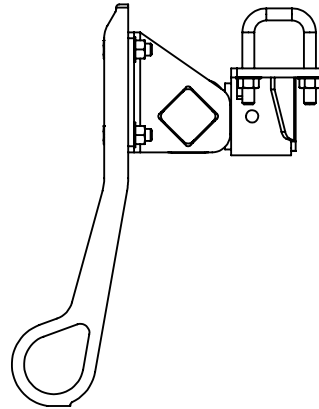


Figure 2

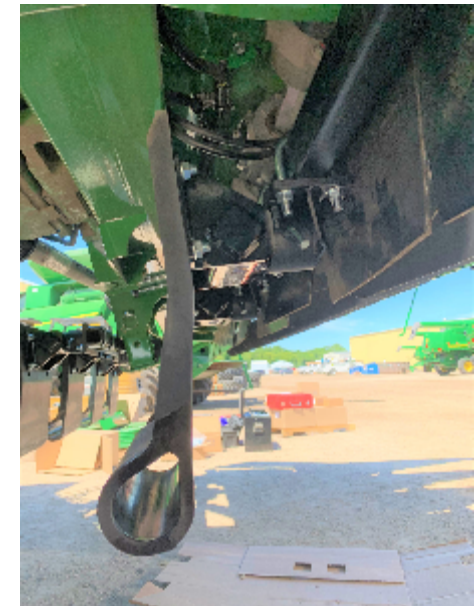
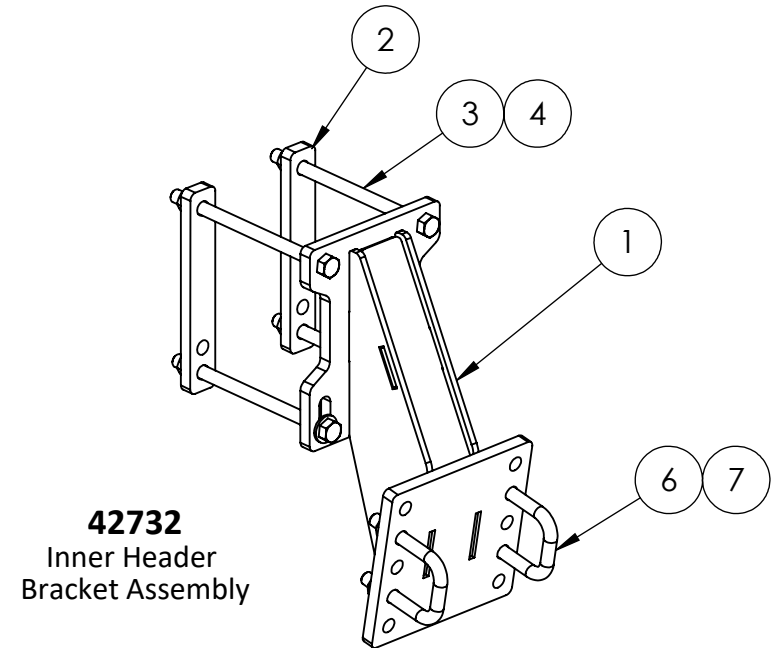
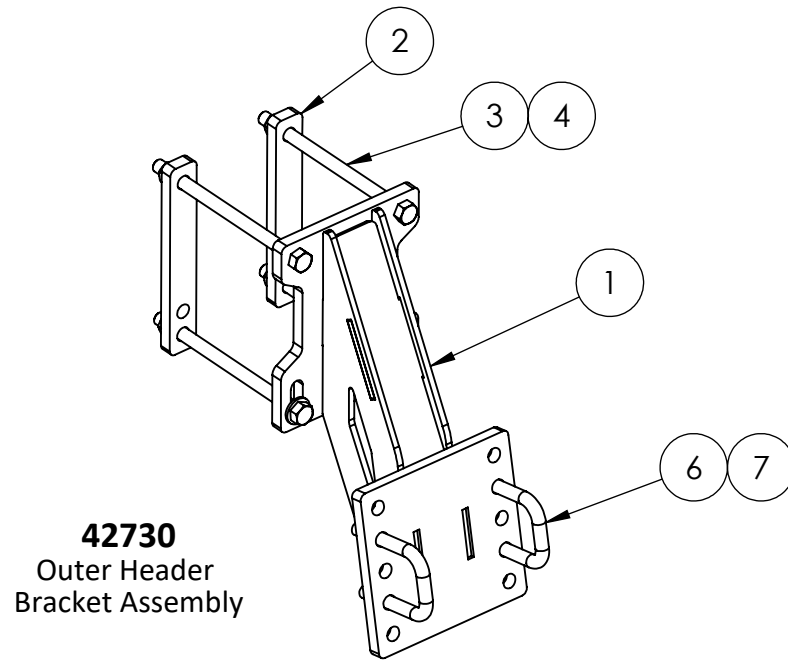


Figure 3

## JOHN DEERE C SERIES TOOLBAR MOUNT STALK STOMPER ASSEMBLY INSTRUCTIONS / PARTS LISTING



7	00730		4
6	00986	U-BOLT 1/2"-13	2
5	00253	WASHER, 1/2" SAE FLAT	2
4	00216	NUT, 1/2" NC TOP LOCK	4
3	01000	Bolt, 1/2"-13 X 8" Hex	4
2	22362	STRAP	2
1	42729	MOUNT, JD G4 HEARDER	1
ITEM #	PART #	DESCRIPTION	QTY.

7	00730		4
6	00986	U-BOLT 1/2"-13	2
5	00253	WASHER, 1/2" SAE FLAT	2
4	00216	NUT, 1/2" NC TOP LOCK	4
3	01000	Bolt, 1/2"-13 X 8" Hex	4
2	22362	STRAP	2
1	42731	MOUNT, JD G4 HEADER INNER	1
ITEM #	PART #	DESCRIPTION	QTY.



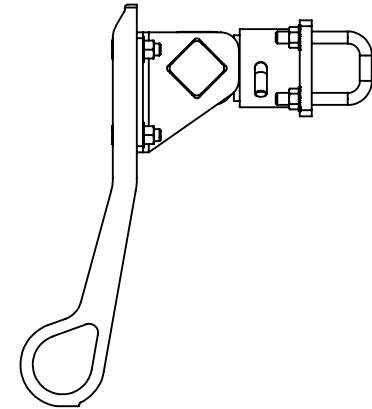
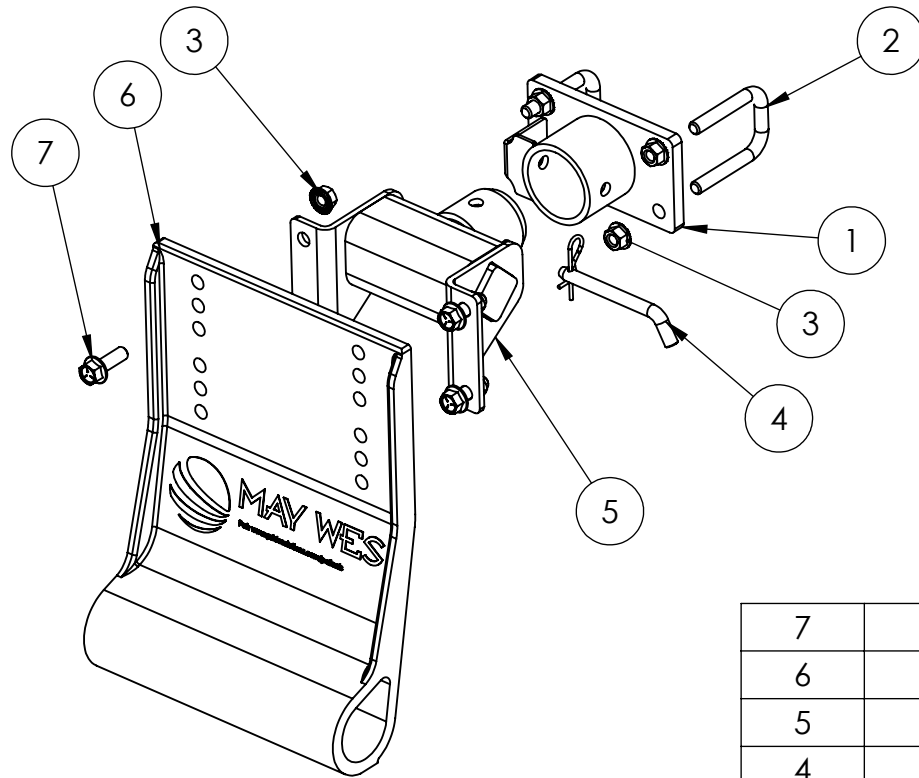
120 Eastgate Drive SE  
Hutchinson, MN 55350

1-800-788-6483  
1-320-587-2322  
1-320-587-6112 (Fax)

[WWW.MAYWES.COM](http://WWW.MAYWES.COM)



## JOHN DEERE C SERIES TOOLBAR MOUNT STALK STOMPER ASSEMBLY INSTRUCTIONS / PARTS LISTING



**43102**  
Shoe Assembly

7	00729	BOLT, 1/2"-13 X 1-1/2" HEX FLANGE	4
6	24100	SHOE, G4 MOLDED	1
5	42295	STALK STOMPER TORSION ASSY	1
4	01130	PIN, 1/2" X 4" BENT HITCH	1
3	00730		8
2	00986	U-BOLT 1/2"-13	2
1	42298	WLDMT; TOOLBAR MNT BRKT	1
ITEM #	PART #	DESCRIPTION	QTY.

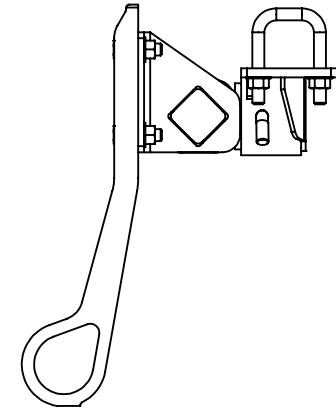
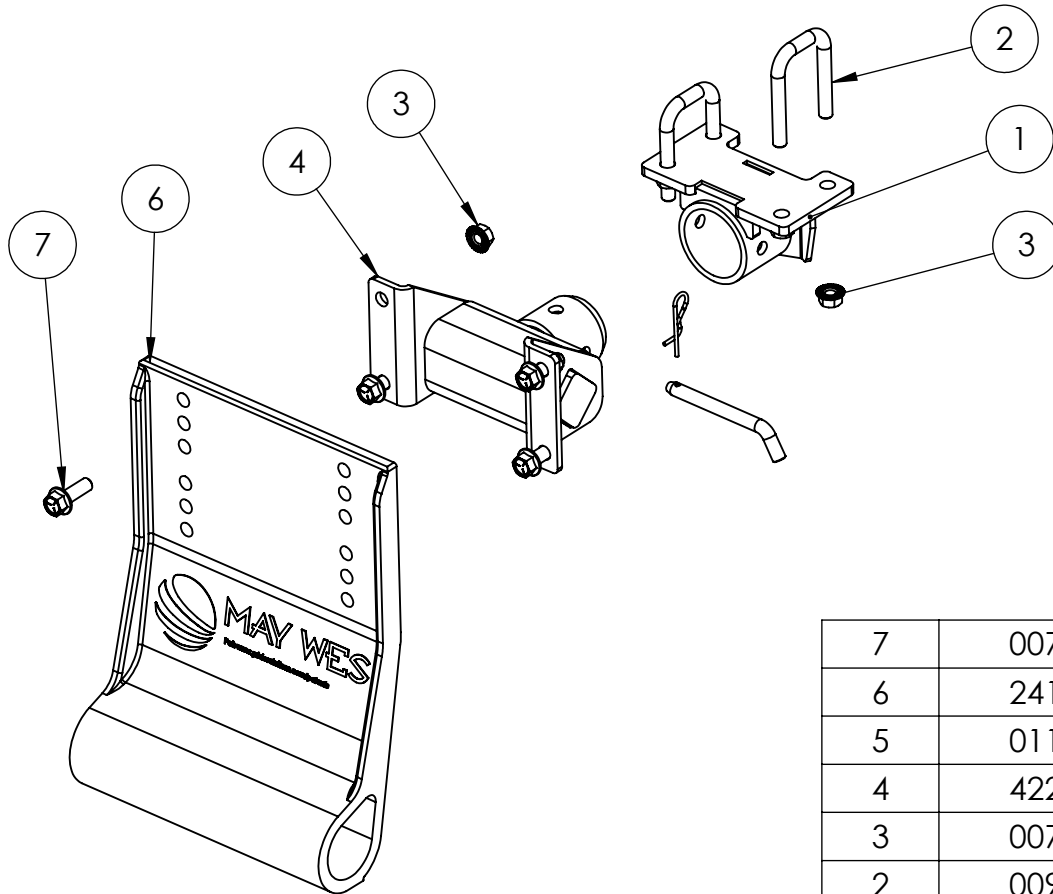


120 Eastgate Drive SE  
Hutchinson, MN 55350

1-800-788-6483  
1-320-587-2322  
1-320-587-6112 (Fax)

[WWW.MAYWES.COM](http://WWW.MAYWES.COM)

## JOHN DEERE C SERIES TOOLBAR MOUNT STALK STOMPER ASSEMBLY INSTRUCTIONS / PARTS LISTING



**43115**  
Center Offset  
Shoe Assembly

7	00729	BOLT, 1/2"-13 X 1-1/2" HEX FLANGE	4
6	24100	SHOE, G4 MOLDED	1
5	01130	PIN, 1/2" X 4" BENT HITCH	1
4	42295	STALK STOMPER TORSION ASSY	1
3	00730		8
2	00986	U-BOLT 1/2"-13	2
1	43097	TOOLBAR MOUNT BRACKET	1
ITEM #	PART #	DESCRIPTION	QTY.

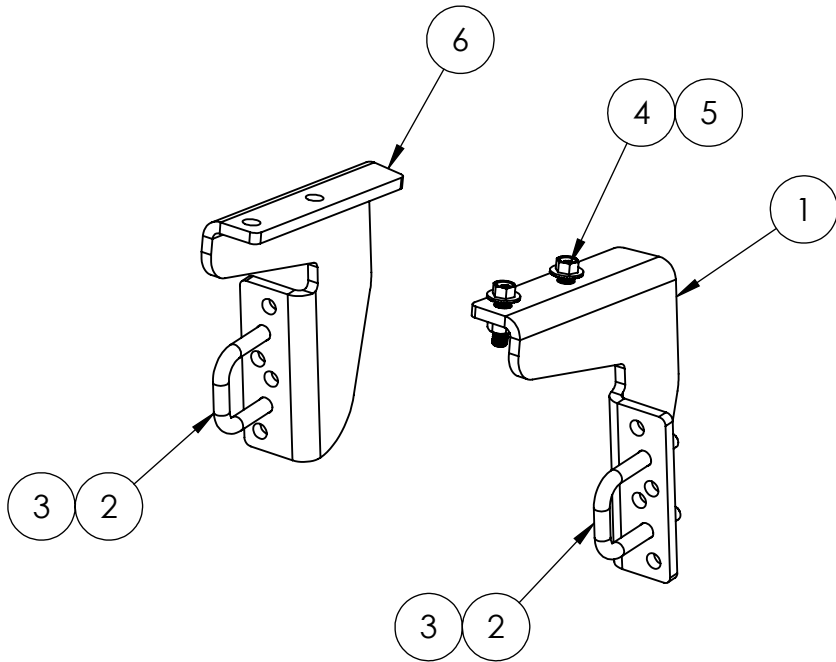


120 Eastgate Drive SE  
Hutchinson, MN 55350

1-800-788-6483  
1-320-587-2322  
1-320-587-6112 (Fax)

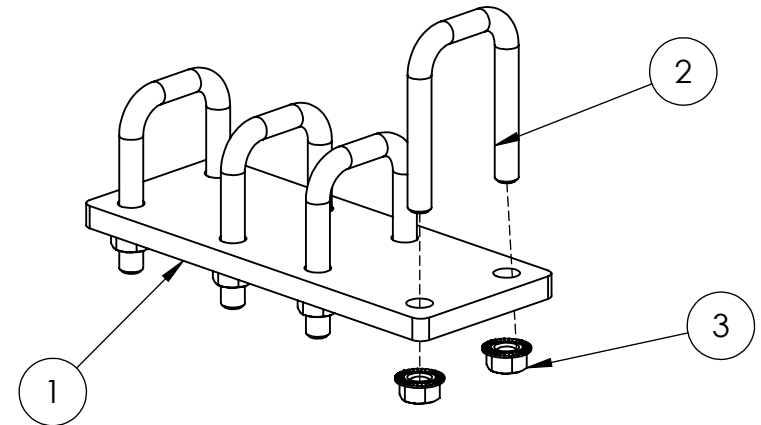
WWW.MAYWES.COM

## JOHN DEERE C SERIES TOOLBAR MOUNT STALK STOMPER ASSEMBLY INSTRUCTIONS / PARTS LISTING



**42738**  
End Support Kit

6	23197	BRACKET, JD C G4 RIGHT END	1
5	01207	NUT, M12 X 1.75 TOP LOCK	2
4	01086	BOLT, M12X1.75X40MM 8.8	2
3	00730		4
2	00986	U-BOLT 1/2"-13	2
1	23196	BRACKET, JD C G4 LEFT END	1
ITEM #	PART #	DESCRIPTION	QTY.



**41827**  
Splice Bracket

ITEM #	PART #	DESCRIPTION	QTY.
1	22341	SPLICE PLATE	1
2	00986	U-BOLT 1/2"-13	4
3	00730		8



120 Eastgate Drive SE  
Hutchinson, MN 55350

1-800-788-6483  
1-320-587-2322  
1-320-587-6112 (Fax)

WWW.MAYWES.COM