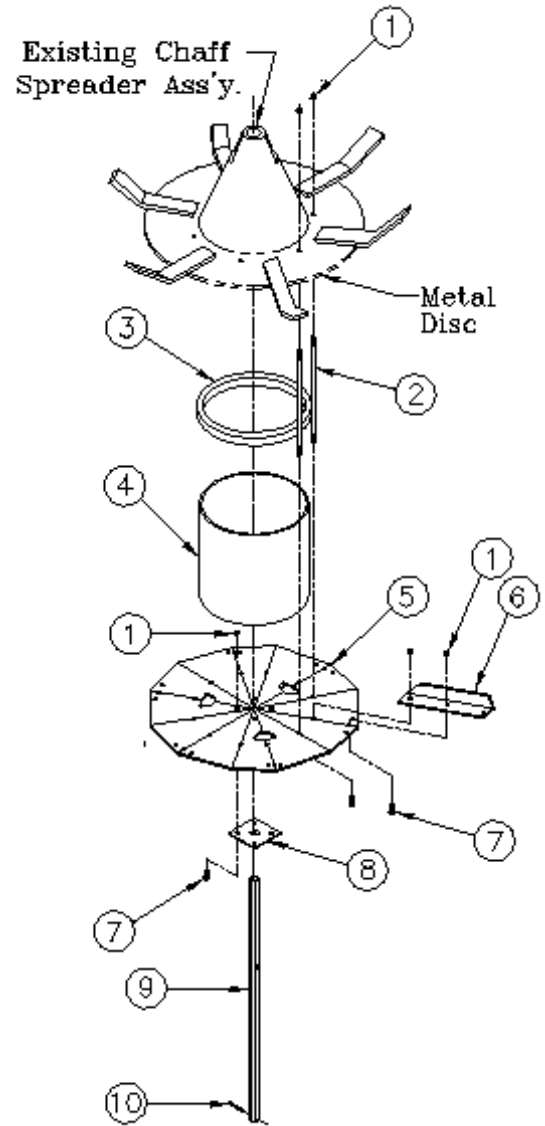


Chaff Spreader Installation & Parts Listing

Installation Procedure:

1. Remove existing chaff spreader and hex shaft from the combine.
2. Replace original hex shaft with the longer shaft provided with your May Wes Chaff Spreader.
3. Attach the straw bats to the poly disc using the holes labeled #2 & #4 (see figure 1-3) with the 5/16" x 1" flange bolt and nut provided.
4. Position the foam seal (with adhesive edge towards the metal disc), the 12" diameter drum tube and poly disc onto the existing metal disc.
5. Attach a flange nut to one end of each 5/16" ready rod, then slide the rods downward thru the metal disc along side the drum tube and thru the poly disc. Attach a flange nut to the ready rod and lightly tighten to hold all parts together.
6. Slide the metal pre-load plate onto the shaft until it makes contact with the poly disc. Mark the location of the four mounting holes from the pre-load plate onto the poly disc.
7. Remove plate, loosen flange nuts from the ready rod, remove the poly disc and drill the marked holes using a 3/8" diameter drill bit.
8. Attach the pre-load plate to the poly disc with (4) 5/16" x 1" flange bolts and nuts. Re-assemble the poly disc onto the ready rod.
9. Insert the roll pin into the hex shaft and attach complete assembly to the combine. Care should be taken when aligning the chaff spreader assemblies onto the combine, that the straw bats do not clash when they begin to rotate.



				5	40074	1	Disc, 30" (1640 & 1660)
10	00444	1	Pin, 1/4" X 2" Roll		40073	1	Disc, 24" (1440 & 1460)
9	40040	1	Hex Shaft	4	40138	1	Drum Tube
8	40358	1	Pre-Load Plate	3	20557	1	Foam Seal
7	00711	16	Bolt, 5/16"-18 X 1" Flange Head	2	40360	6	Rod, 5/16" ready
6	40361	6	Straw Bat (12")	1	00714	28	Nut, 5/16"-18 Flange
ITEM	PART NO.	QTY.	DESCRIPTION	ITEM	PART NO.	QTY.	DESCRIPTION



MAY WES
Original Poly People
A DIVISION OF PRIDE SOLUTIONS

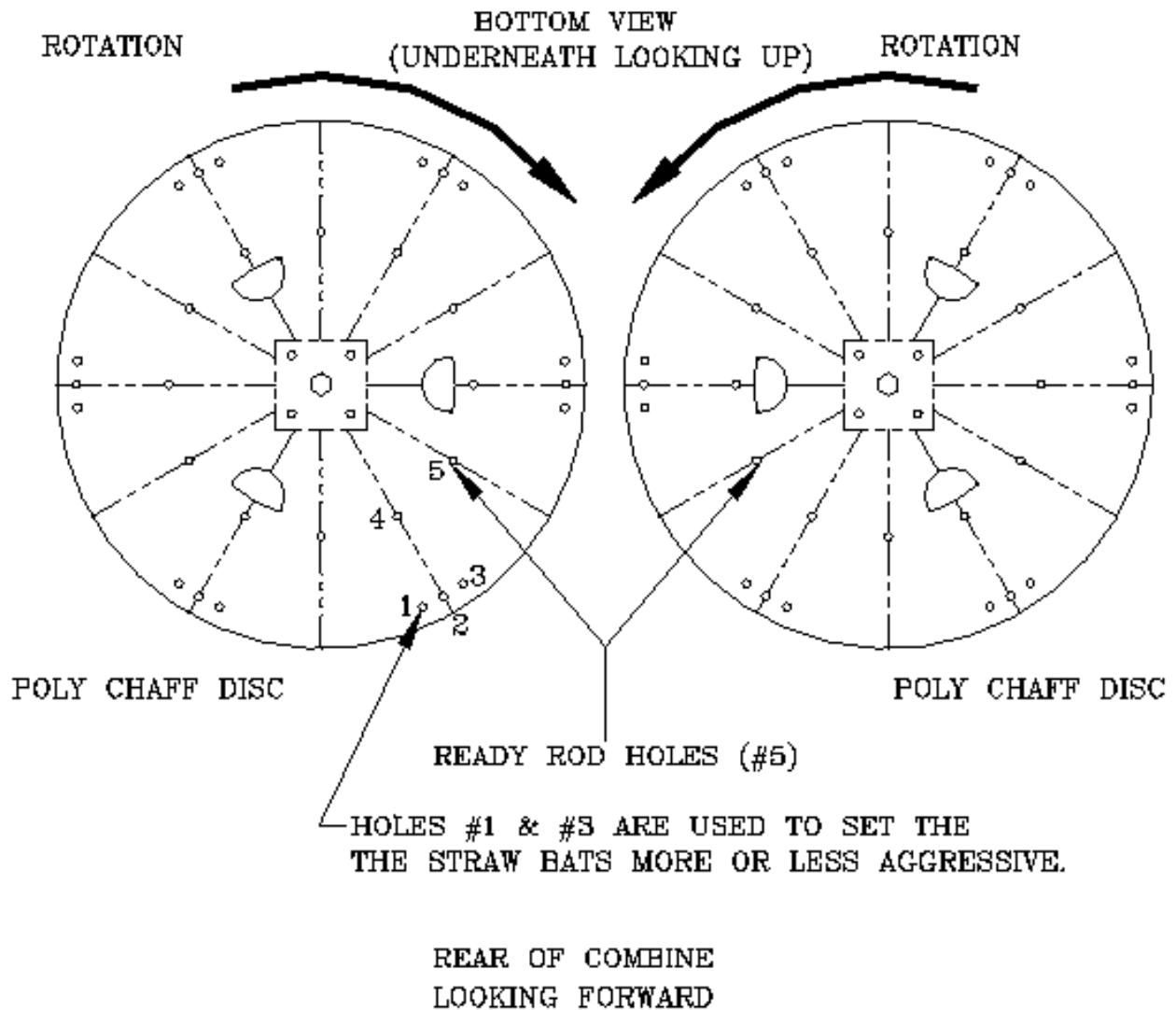
120 Eastgate Drive SE
PO Box 7
Hutchinson, MN 55350

1-800-788-6483
1-320-587-2322
1-320-587-6112 (Fax)

WWW.MAYWES.COM

Chaff Spreader Installation

FIGURE 1-3



IMPORTANT:

CHECK THE DISTANCE BETWEEN WHEELS AND STRAW BATS BEFORE GOING INTO THE FIELD TO AVOID ANY INTERFERENCE PROBLEMS THAT COULD CAUSE DAMAGE TO EITHER THE WHEELS OR STRAW BATS.



MAY WES
Original Poly People
A DIVISION OF PRIDE SOLUTIONS

120 Eastgate Drive SE
PO Box 7
Hutchinson, MN 55350

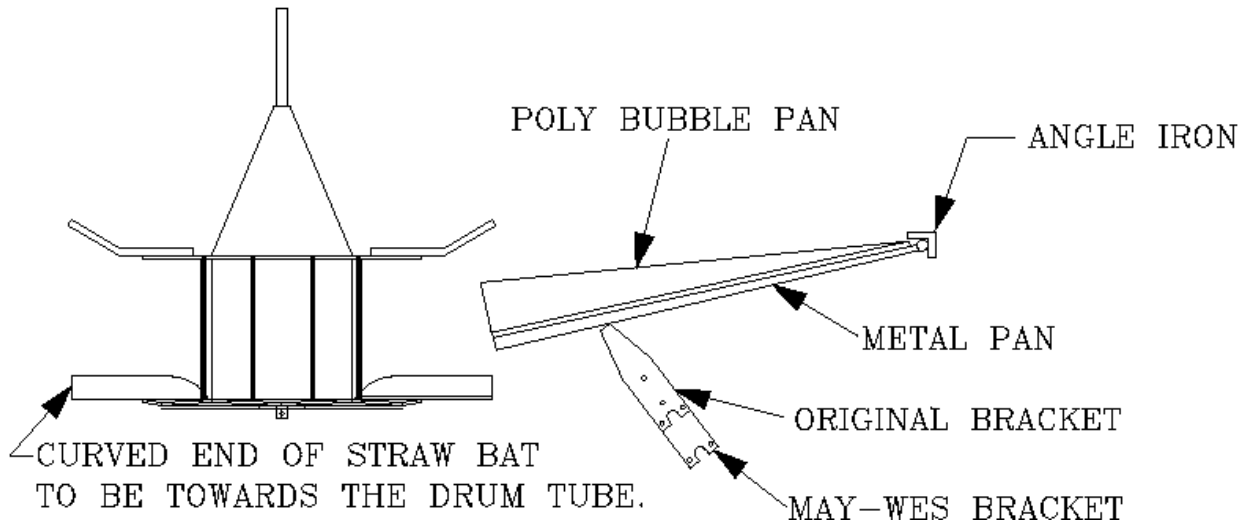
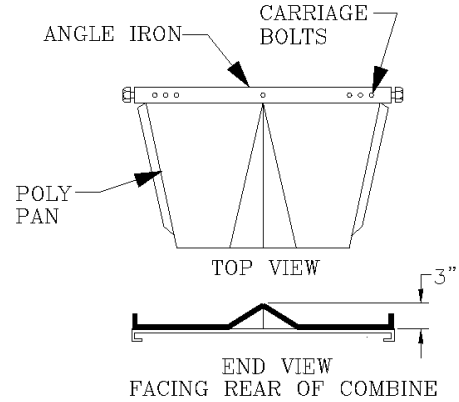
1-800-788-6483
1-320-587-2322
1-320-587-6112 (Fax)

WWW.MAYWES.COM

Chaff Spreader Pan Installation

Assembly Procedure:

1. Remove carriage bolts that hold angle iron and metal pan together.
2. Place poly pan between angle iron and metal pan. Mark the hole locations from the angle iron onto the poly pan. Drill the marked holes and re-insert original bolts.
3. A 3" bubble in the poly pan to divide the chaff between the two spreaders is recommended.

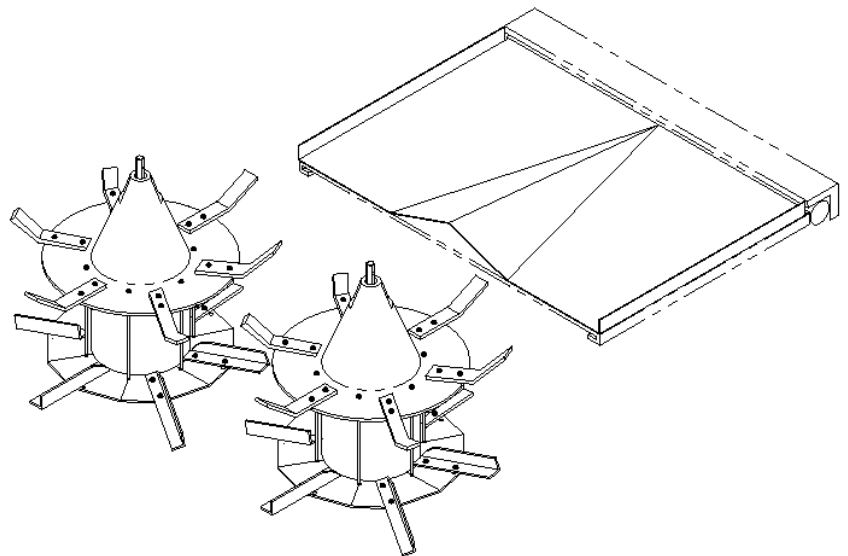


Assembly Procedure:

1. Adjust the brackets until the chafer pan is 2" above the paddles on the poly disc.
2. Mark the original bracket thru holes in the May Wes bracket.

IMPORTANT:

Check the distance between the wheels and straw bats before going into field to avoid any interference problems that could cause damage to either the wheels or straw bats.

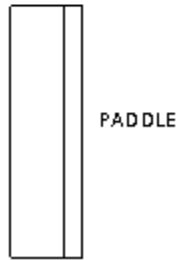
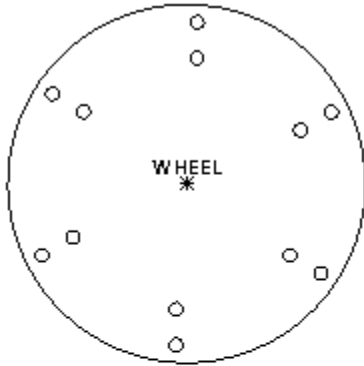


120 Eastgate Drive SE
PO Box 7
Hutchinson, MN 55350

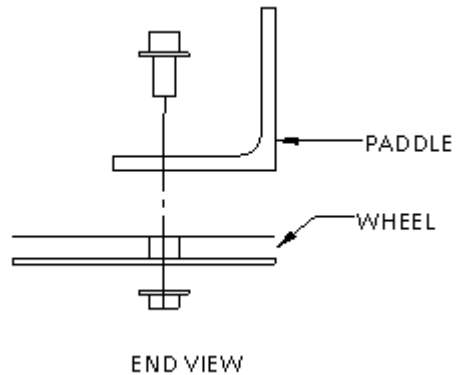
1-800-788-6483
1-320-587-2322
1-320-587-6112 (Fax)

WWW.MAYWES.COM

Chaff Spreader Pan Assembly Instructions



PLACE PADDLE ON WHEEL AS SHOWN, INSTALL 5/16" BOLT (FLANGE) THRU PADDLE AND WHEEL, ATTACH FLANGE NUT AS SHOWN.



MAY WES
Original Poly People
A DIVISION OF PRIDE SOLUTIONS

120 Eastgate Drive SE
PO Box 7
Hutchinson, MN 55350

1-800-788-6483
1-320-587-2322
1-320-587-6112 (Fax)

WWW.MAYWES.COM