



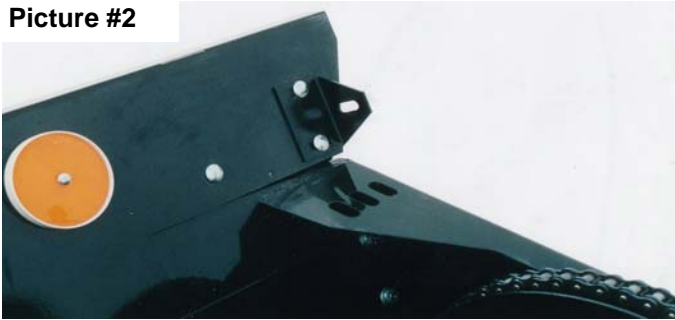
The Original Farmer Designed
59711 U.S. Hwy 12, Litchfield, MN 55355
1-888-485-8411

Assembly Instructions AGCO 3000 30's Ends (Left) (6616)

Picture #1



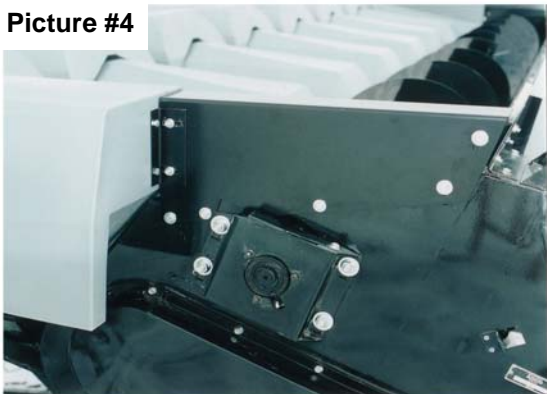
Picture #2



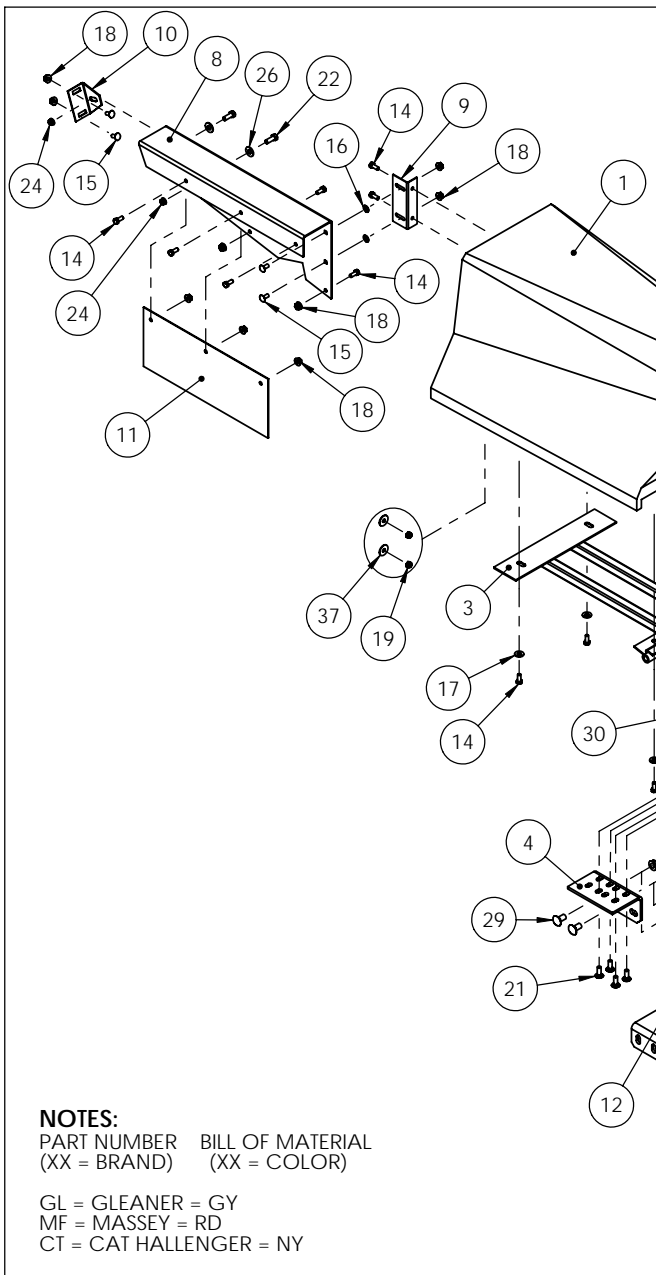
Picture #3



Picture #4



1. Bolt the Lower Hold Down Bracket (**Item #12**) to the row unit using (2) 1/2" x 1 1/4" and washers. (**Leave Loose**). (**Picture #1**)
2. Mount Upper Hold Down Bracket (**Item #4**) using (2) 1/2" x 1" carriage bolts and flange serrated nuts. Use 2 rear slots. (**flange serrated nuts on out side**) (**Leave Loose**)
3. Mount the Back Mounting Angle (**Item #10**) bracket on the back of the head using (2) 5/16" x 3/4" carriage bolts and nuts (**Picture #2**)
4. Install the Left Rear Mounting Plate to the head using 5/16" and 3/8" bolts, washers and nuts. (**Drill 5/16" holes in the head**) (**Picture #4**).
5. **Left side only:** Bolt Left Hand Chain Guard (**Item #11**) to the inside of the Left Rear Mounting Plate (**Item #8**) using (3) 5/16" x 3/4" hex bolts and nuts (**Picture #3**).
6. Install (2) 5/16" x 3/4" carriage bolts in the square holes at the front of the Left Rear Mounting Plate (**Threads to Outside**). Use the 5/16" bolt retainer to hold the bolts in place.
7. Position the **GVL** Gatherer Shield and tighten the (4) 3/8" carriage bolts on the Upper Hold Down Bracket. (**Item #4**) (**Picture #1**).
8. Mount the Back Mount Angle (**Item #9**) on the Mounting Plate (**slotted holes toward the Mounting Plate**). Slide the mount angle tight to the plastic and drill 5/16" holes in the plastic. Fasten with 5/16" bolts, fender washers and nuts. (**Picture #4**).
9. The PVC pipe around the adjustment chain must be removed (**for shipping only**).



ITEM NO.	PART NUMBER	DESCRIPTION	QTY.	ITEM NO.	PART NUMBER	DESCRIPTION	QTY.
31	12-FSN	1/2" FLANGE SERRATED NUT	2	1	XX 06601	30's END LEFT BACK SHORT	1
32	12-W SAE	1/2" SAE WASHER	4	2	XX 16600	30's LEFT END	1
33	SN-531	SERIAL NUMBER TAG	1	3	DA 16702	END MAIN FRAME-30	1
34	PCC-316	3/16 PROOF COIL CHAIN	19	4	DA 06718	30's END UPPER HOLD DOWN BRKT	1
35	WP-96	Wear Point	1	5	UN 16603	FRT ADJ GATH BRKT-30 LEFT END	1
36	ES-GVL	GVL EAR SAVER	1	6	UN 21004	SS W STRIP-RIGHT EDGE 30'S END	1
37	516-W F	5/16 FENDER WASHER	4	7	UN 00004	STIFFENER-LEFT FRONT	1
				8	DA 01105	LEFT REAR MOUNTING PLATE	1
				9	DA 01406	BACK MNTG ANGLE-LONG	1
				10	DA 01404	BACK MNTG ANGLE-SHORT	1
				11	DA 01111	LEFT HAND CHAIN GUARD	1
				12	DA 01419	END LOWER HOLD DOWN BRACKET	1
				13	14-34 TTS	1/4"x3/4" TR TAPPING SCREW	5
				14	516-34 HB	5/16"x3/4" HX HD BOLT	13
				15	516-34 CB	5/16"x3/4" CARRAGE BOLT	4
				16	516-BR	5/16" BOLT RETAINER	2
				17	516-W USS	5/16" USS FLAT WASHER	4
				18	516-FSN	5/16" FLANGE SERRATED NUT	9
				19	516-NLN	5/16" NYLON LOCK NUT	2
				20	38-134 THB	3/8"x1 3/4" TRUSS HEAD BOLT	4
				21	38-1 CB	3/8"x1" CARR BOLT-SHORT NECK	4
				22	38-1 HB	3/8"x1" HX HD BOLT	3
				23	38-3 UB	3/8"x3" U-BOLT	1
				24	38-FSN	3/8" FLANGE SERRATED NUT	11
				25	38-NLN	3/8" NYLON LOCK NUT	2
				26	38-W USS	3/8" USS FLAT WASHER	5
				27	12-150 MHB	12X150 HX HD METRIC BOLT	2
				28	12-114 HB	1/2"x1 1/4" HX HD BOLT	2
				29	12-1 CB	1/2" CARR BOLT	2
				30	12-MLN	12 METRIC LOCK NUT	2

NOTES:
 PART NUMBER BILL OF MATERIAL
 (XX = BRAND) (XX = COLOR)

GL = GLEANER = GY
 MF = MASSEY = RD
 CT = CAT CHALLENGER = NY

PROPRIETARY AND CONFIDENTIAL
 THE INFORMATION CONTAINED IN THIS DRAWING IS THE SOLE PROPERTY OF GVL. ANY REPRODUCTION IN PART OR AS A WHOLE WITHOUT THE WRITTEN PERMISSION OF GVL IS PROHIBITED.

NAME		DATE	GVL		
DRAWN	ALS	6/11/08			TITLE: AGCO 3000 30's LEFT END GVL I
CHECKED					
ENG APPR.					
MFG APPR.					
Q.A.					
COMMENTS:			SIZE B	DWG. NO. XX 6616	REV
SCALE: 1:12		WEIGHT:	SHEET 1 OF 1		