



The Original Farmer Designed
59711 U.S. Hwy 12, Litchfield, MN 55355
1-888-485-8411

Assembly Instructions AGCO 3000 30's Ends (Right) (7716)

Picture #1



1. Bolt the Lower Hold Down Bracket (**Item #11**) to the row unit using (2) 1/2" x 1 1/4" and washers. (**Leave Loose**). (**Picture #1**)
2. Mount Upper Hold Down Bracket (**Item #4**) using (2) 1/2" x 1" carriage bolts and flange serrated nuts. Use 2 rear slots. (**flange serrated nut on out side**) (**Leave Loose**)
3. Mount the Back Mounting Angle (**Item #9**) bracket on the back of the head using (2) 5/16" x 3/4" carriage bolts and nuts (**Picture #2**)

Picture #2



4. Install the Right Rear Mounting Plate to the head using 5/16" and 3/8" bolts, washers and nuts. (**Drill 5/16" holes in the head**) (**Picture #4**).
5. Install (2) 5/16" x 3/4" carriage bolts in the square holes at the front of the Right Rear Mounting Plate (**Threads to Outside**). Use the 5/16" bolt retainer to hold the bolts in place.
6. Position the **GVL** Gatherer Shield and tighten the (4) 3/8" carriage bolts on the Upper Hold Down Bracket. (**item #4**) (**Picture #1**).

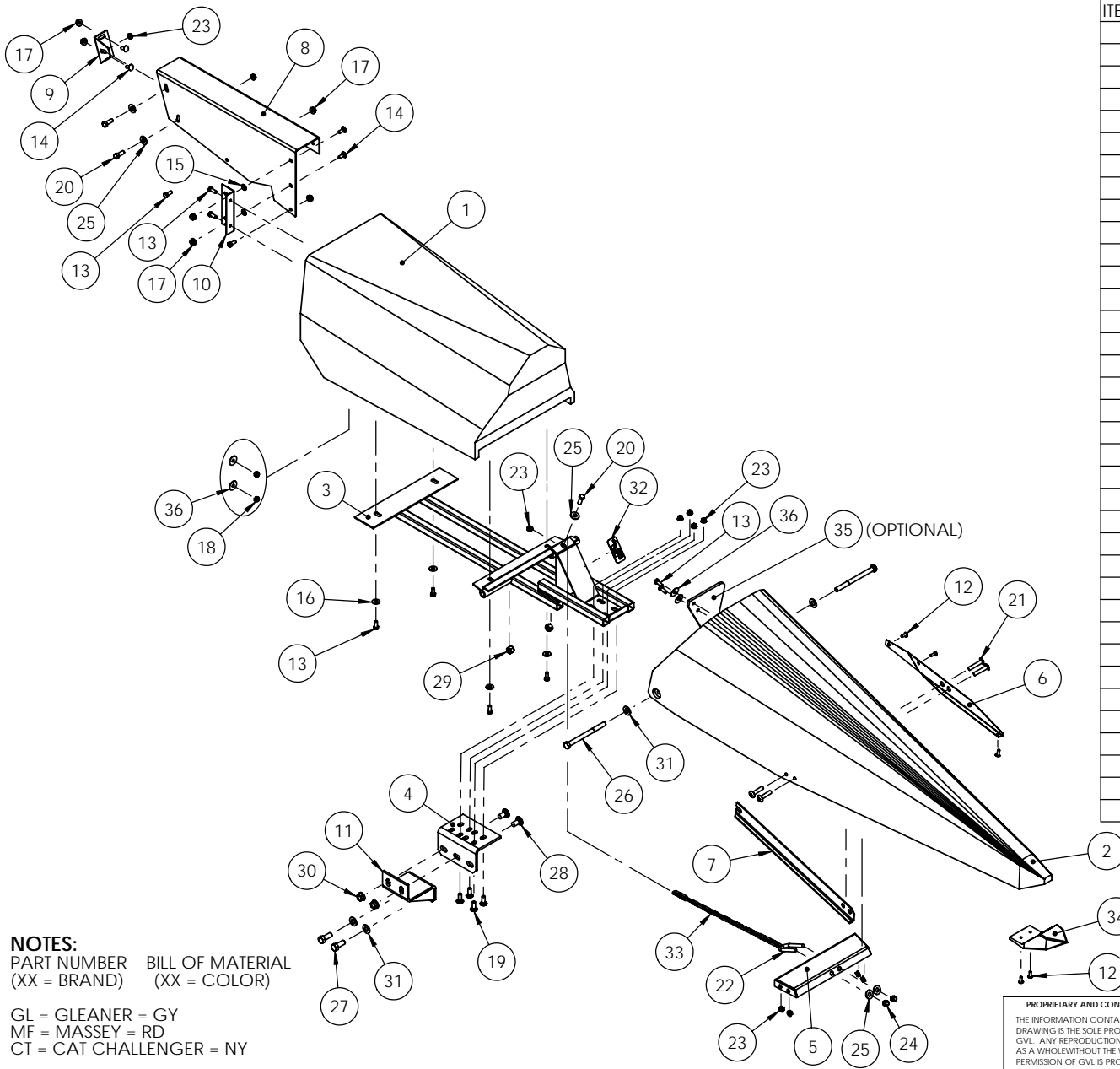
Picture #3



7. Mount the Back Mount Angle (**Item #10**) on the Mounting Plate (**slotted holes toward the Mounting Plate**). Slide the mount angle tight to the plastic and drill 5/16" holes in the plastic. Fasten with 5/16" bolts, fender washers and nuts. (**Picture #4**).
8. The PVC pipe around the adjustment chain must be removed (**for shipping only**).

Picture #4





NOTES:
 PART NUMBER BILL OF MATERIAL
 (XX = BRAND) (XX = COLOR)

GL = GLEANER = GY
 MF = MASSEY = RD
 CT = CAT CHALLENGER = NY

ITEM NO.	PART NUMBER	DESCRIPTION	QTY.
1	XX 07701	30's END RIGHT BACK SHORT	1
2	XX 17700	30's RIGHT END	1
3	DA 16702	END MAIN FRAME-30	1
4	DA 06718	30's END UPPER HOLD DOWN BRKT	1
5	UN 17703	FRT ADJ GATH BRKT-30 RIGHT END	1
6	UN 21003	SS W STRIP-LEFT EDGE 30'S END	1
7	UN 00005	STIFFENER-RIGHT FRONT	1
8	DA 04405	RIGHT REAR MOUNTING PLATE	1
9	DA 01404	BACK MNTG ANGLE-SHORT	1
10	DA 01406	BACK MNTG ANGLE-LONG	1
11	DA 01419	END LOWER HOLD DOWN BRACKET	1
12	14-34 TTS	1/4"x3/4" TR TAPPING SCREW	5
13	516-34 HB	5/16"x3/4" HX HD BOLT	10
14	516-34 CB	5/16"x3/4" CARRAGE BOLT	4
15	516-BR	5/16" BOLT RETAINER	2
16	516-W USS	5/16" USS FLAT WASHER	4
17	516-FSN	5/16" FLANGE SERRATED NUT	6
18	516-NLN	5/16" NYLON LOCK NUT	2
19	38-1 CB	3/8"x1" CARR BOLT-SHORT NECK	4
20	38-1 HB	3/8"x1" HX HD BOLT	3
21	38-134 THB	3/8"x1 3/4" TRUSS HEAD BOLT	4
22	38-3 UB	3/8"x3" U-BOLT	1
23	38-FSN	3/8" FLANGE SERRATED NUT	11
24	38-NLN	3/8" NYLON LOCK NUT	2
25	38-W USS	3/8" USS FLAT WASHER	5
26	12-150 MHB	12X150 HX HD METRIC BOLT	2
27	12-114 HB	1/2"x1 1/4" HX HD BOLT	2
28	12-1 CB	1/2" CARR BOLT	2
29	12-MLN	12 METRIC LOCK NUT	2
30	12-FSN	1/2" FLANGE SERRATED NUT	2
31	12-W SAE	1/2" SAE WASHER	4
32	SN-531	SERIAL NUMBER TAG	1
33	PCC-316	3/16 PROOF COIL CHAIN	19
34	WP-96	Wear Point	1
35	ES-GVL	GVL EAR SAVER	1
36	516-W F	5/16 FENDER WASHER	4

DRAWN		NAME	DATE	GVL		
CHECKED		ALS	6/12/08			
ENG APPR.						TITLE:
MFG APPR.						AGCO 3000 30's RIGHT END GVL I
Q.A.						SIZE
COMMENTS:				DWG. NO.	REV	
				B	XX 7716	
				SCALE: 1:12	WEIGHT:	
				SHEET 1 OF 1		

PROPRIETARY AND CONFIDENTIAL
 THE INFORMATION CONTAINED IN THIS
 DRAWING IS THE SOLE PROPERTY OF
 GVL. ANY REPRODUCTION IN PART OR
 AS A WHOLE WITHOUT THE WRITTEN
 PERMISSION OF GVL IS PROHIBITED.