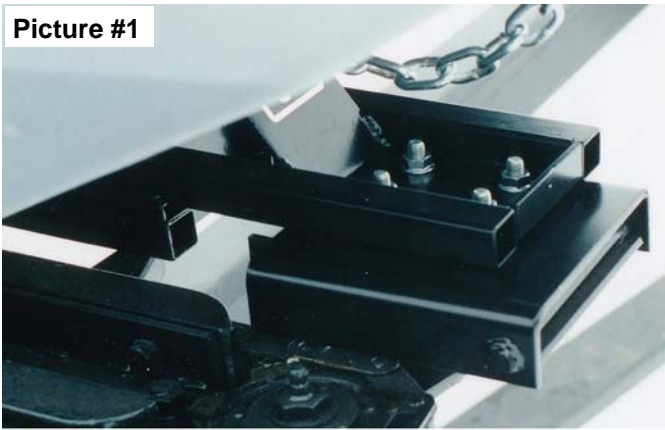




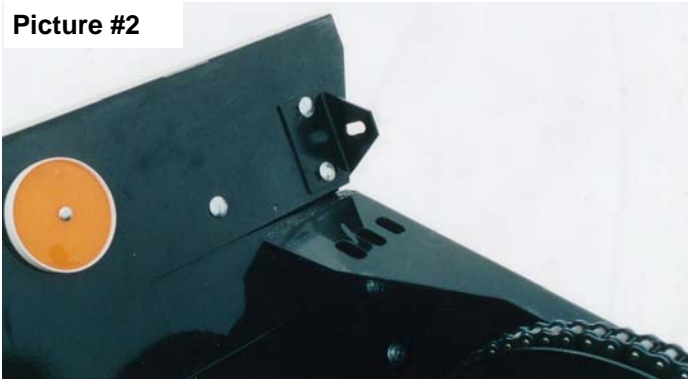
The Original Farmer Designed
59711 U.S. Hwy 12, Litchfield, MN 55355
1-888-485-8411

Assembly Instructions AGCO Hugger 30's Ends (Left) (H 6623)

Picture #1



Picture #2



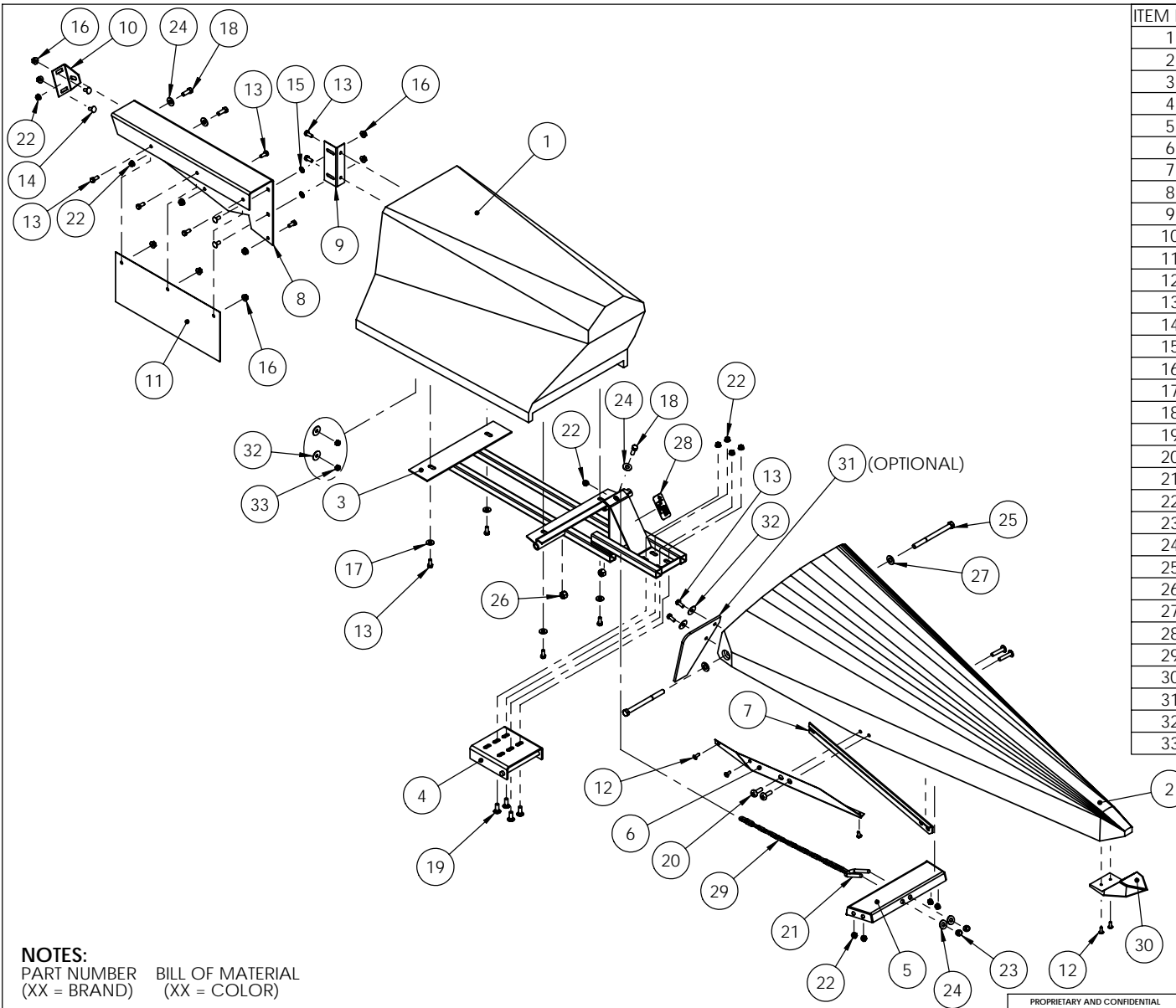
Picture #3



Picture #4



1. Bolt the front hinge bracket (**Item #4**) to the front of the **GVL** main frame (**Item # 3**) using (4) 3/8" x 1" carriage bolts. The bracket should be offset toward the middle of the head (leave loose). Mount the Gatherer Shield on the head. (**Picture #1**)
2. Mount the back mounting angle (**Item #10**) bracket on the back of the head using (2) 5/16" x 3/4" hex bolts and nuts. (**Picture #2**)
3. **Left side only:** Bolt left hand chain guard (**Item #11**) to the inside of the left end back mounting plate (**Item #8**) using (3) 5/16 x 3/4" hex bolts and nuts (**picture #3**).
4. Install (2) 5/16" x 3/4" carriage bolts in the square holes at the front of the left end back mounting plate (**threads to outside**). Use the 5/16" bolt retainer to hold the bolts in place.
5. Install the left end back mounting plate to the head using 5/16" and 3/8" bolts, washers and nuts. (**Drill 5/16" holes in the head**) (**Picture #4**).
6. Position the **GVL** Gatherer Shield and tighten the 3/8" carriage bolts on the front hinge bracket. (**Picture #1**).
7. Mount the back mount angle (**Item #9**) on the mounting plate (**slotted holes toward the mounting plate**). Slide the mount angle tight to the plastic and drill 5/16" holes in the plastic. Fasten with 5/16" bolts, washers and nuts. (**Picture #4**).
8. The PVC pipe around the adjustment chain must be removed (for shipping only).



ITEM NO.	PART NUMBER	DESCRIPTION	QTY.
1	XX 06601	30's END LEFT BACK SHORT	1
2	XX 16600	30's LEFT END	1
3	DA 16702	END MAIN FRAME-30	1
4	DA 06712	FRONT HINGING BRKT	1
5	UN 16603	FRT ADJ GATH BRKT-30 LEFT END	1
6	UN 21004	SS W STRIP-RIGHT EDGE 30'S END	1
7	UN 00004	STIFFENER-LEFT FRONT	1
8	DA 01105	LEFT REAR MOUNTING PLATE	1
9	DA 01406	BACK MNTG ANGLE-LONG	1
10	DA 01404	BACK MNTG ANGLE-SHORT	1
11	DA 01111	LEFT HAND CHAIN GUARD	1
12	14-34 TTS	1/4"x3/4" TR TAPPING SCREW	5
13	516-34 HB	5/16"x3/4" HX HD BOLT	13
14	516-34 CB	5/16"x3/4" CARRAGE BOLT	4
15	516-BR	5/16" BOLT RETAINER	2
16	516-FSN	5/16" FLANGE SERRATED NUT	9
17	516-W USS	5/16" USS FLAT WASHER	4
18	38-1 HB	3/8"x1" HX HD BOLT	3
19	38-1 CB	3/8"x1" CARR BOLT-SHORT NECK	4
20	38-134 THB	3/8"x1 3/4" TRUSS HEAD BOLT	4
21	38-3 UB	3/8"x3" U-BOLT	1
22	38-FSN	3/8" FLANGE SERRATED NUT	11
23	38-NLN	3/8" NYLON LOCK NUT	2
24	38-W USS	3/8" USS FLAT WASHER	5
25	12-150 MHB	12X150 HX HD METRIC BOLT	2
26	12-MLN	12 METRIC LOCK NUT	2
27	12-W SAE	1/2" SAE WASHER	2
28	SN-531	SERIAL NUMBER TAG	1
29	PCC-316	3/16 PROOF COIL CHAIN	21
30	WP-96	Wear Point	1
31	ES-GVL	GVL EAR SAVER	1
32	516-W F	5/16 FENDER WASHER	4
33	516-NLN	5/16" NYLON LOCK NUT	2

NOTES:
 PART NUMBER BILL OF MATERIAL
 (XX = BRAND) (XX = COLOR)

GL = GLEANER = GY
 MF = MASSEY = RD

NAME	DATE	GVL	
DRAWN: ALS	5/22/08	TITLE: AGCO 30's LEFT END - HUGGER GVL I	
CHECKED:			
ENG APPR.:			
MFG APPR.:			
Q.A.:			
COMMENTS:		SIZE: B DWG. NO.: XX H 6623 SCALE: 1:12 WEIGHT: SHEET 1 OF 1	

PROPRIETARY AND CONFIDENTIAL
 THE INFORMATION CONTAINED IN THIS DRAWING IS THE SOLE PROPERTY OF GVL. ANY REPRODUCTION IN PART OR AS A WHOLE WITHOUT THE WRITTEN PERMISSION OF GVL IS PROHIBITED.