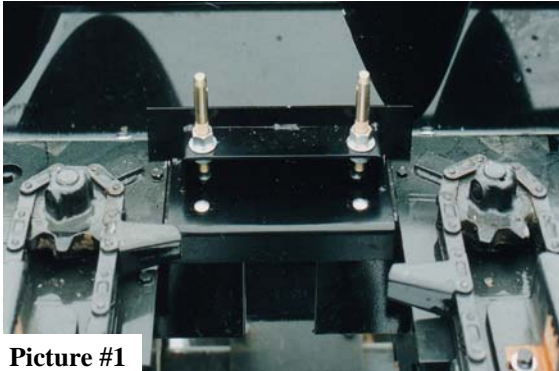




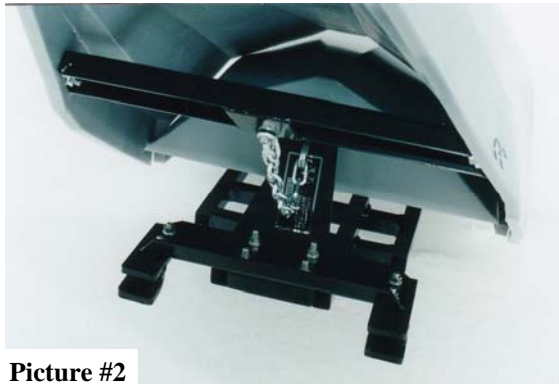
*The Original Farmer Designed*  
59711 U.S. Hwy 12, Litchfield, MN 55355  
1-888-485-8411

## Assembly Instructions AGCO HUGGER 38" Center (H 3823)



Picture #1

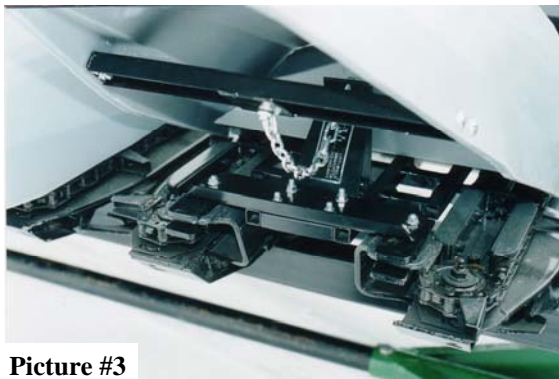
1. Remove filler plate between the row units and replace with **GVL rear hold-down bracket (Item #5)** using (4) 5/16" x 3/4" carriage bolts and nuts. Center and tighten (Picture #1)



Picture #2

2. Install the front hinge bracket (**Item #6**) to the front of the **GVL main frame (Item #3)** using 3/8" x 1" carriage bolts and nuts provided. Leave loose

3. Install the hooks (**Item #7**) on the front hinge bracket using 3/8" x 1" carriage bolts and nut provided. Leave loose (Picture #2)

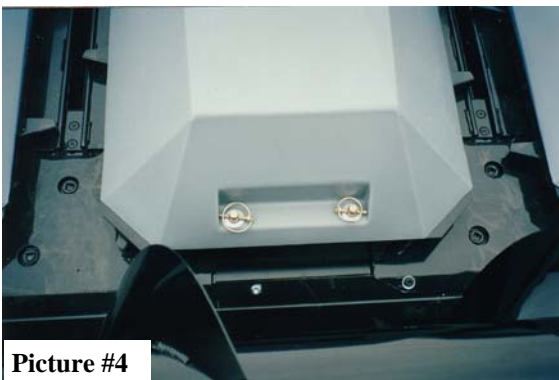


Picture #3

4. Set the **GVL Gatherer Shields** in place inserting the hook end first. (**Picture #3**) Next tilt the back down through the rear hold-down pins. (**Item #9**) The pins are tapered to self align. (**Picture #4**)

5. Position the Gatherer Shield and tighten the bolts.

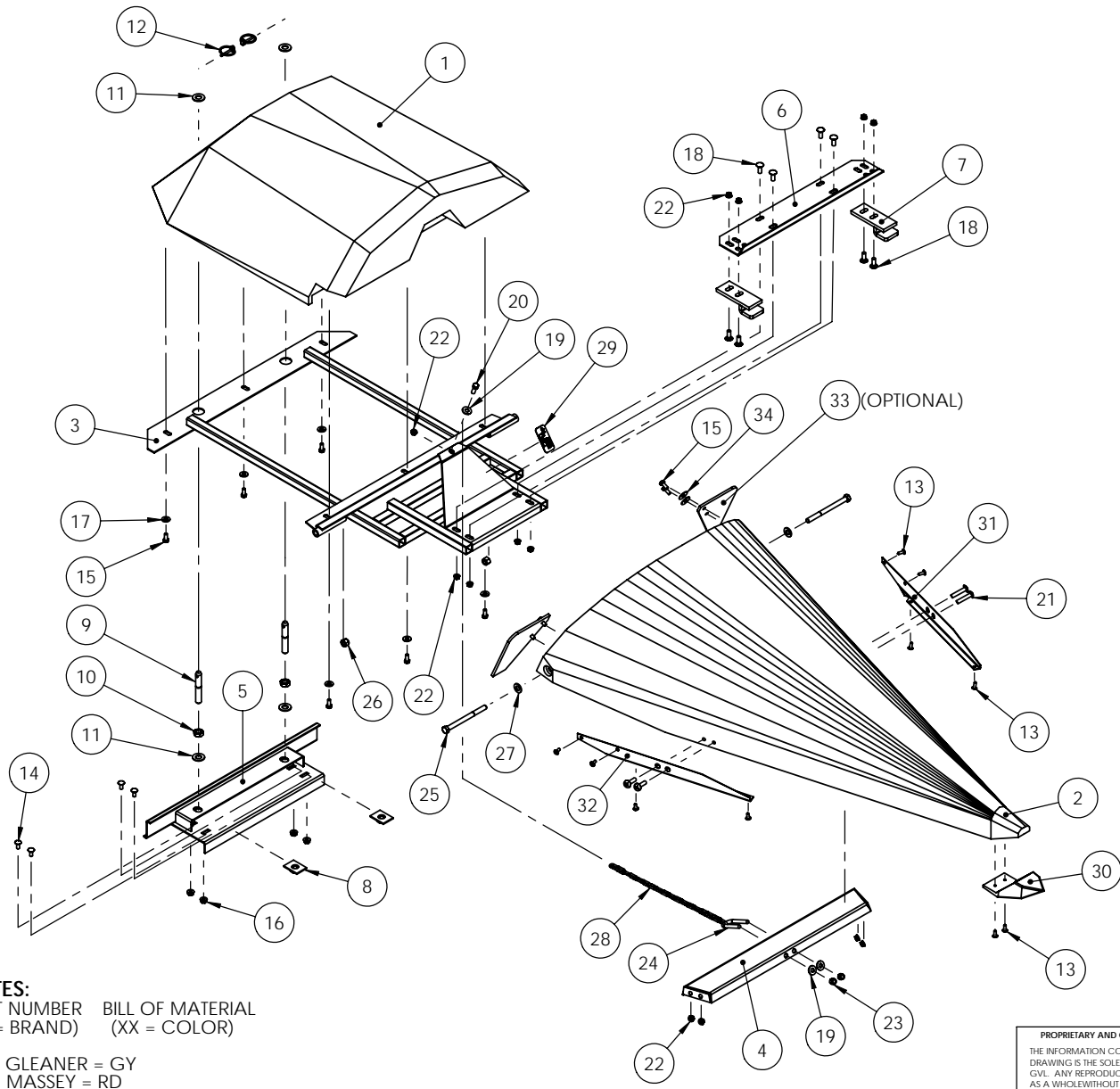
6. Adjust the rear hold-down pins up or down so the lynch pins (**Item #12**) are snug (**The 5/8" washers are for under the lynch pins**), then tighten hold-down pin nuts. (**Picture #4**)



Picture #4

7. The PVC pipe around the adjustment chain. Must be removed. (For shipping only)

8. Use extra 1/4" x 3/4" screws and fender washer to fasten the rubber ear savers. (**Optional**) (Drill holes no larger than 1/8" holes for this).



ITEM NO.	PART NUMBER	DESCRIPTION	QTY.
1	XX 03701	36"/38" CENTER BACK	1
2	XX 13700	36"/38" CENTER GATHERER FRONT	1
3	DA 13702	37" MAIN FRAME	1
4	UN 13703	36"-38" FRONT GATH BRACKET	1
5	DA 03804	38" REAR HOLD DOWN BRKT	1
6	DA 03712	37" FRT HINGING BRKT	1
7	DA 00009	HOOK-HUGGER SERIES	2
8	UN 00006	5/8" JAM NUT PLATE	2
9	58-4 HDP	5/8"x4" LG HOLD DOWN PIN	2
10	58-JN	5/8" JAM NUT	2
11	58-W SAE	5/8" SAE WASHER	4
12	14-LP	1/4" LYNCH PIN	2
13	14-34 TTS	1/4"x3/4" TR TAPPING SCREW	10
14	516-34 CB	5/16"x3/4" CARRAGE BOLT	4
15	516-34 HB	5/16"x3/4" HX HD BOLT	10
16	516-FSN	5/16" FLANGE SERRATED NUT	4
17	516-W USS	5/16" USS FLAT WASHER	6
18	38-1 CB	3/8"x1" CARR BOLT-SHORT NECK	8
19	38-W USS	3/8" USS FLAT WASHER	3
20	38-1 HB	3/8"x1" HX HD BOLT	1
21	38-134 THB	3/8"x1 3/4" TRUSS HEAD BOLT	4
22	38-FSN	3/8" FLANGE SERRATED NUT	13
23	38-NLN	3/8" NYLON LOCK NUT	2
24	38-3 UB	3/8"x3" U-BOLT	1
25	12-150 MHB	12X150 HX HD METRIC BOLT	2
26	12-MLN	12 METRIC LOCK NUT	2
27	12-W SAE	1/2" SAE WASHER	2
28	PCC-316	3/16 PROOF COIL CHAIN	19
29	SN-531	SERIAL NUMBER TAG	1
30	WP-96	Wear Point	1
31	UN 21001	SS WEAR SRTIPS-LEFT EDGE	1
32	UN 21002	SS WEAR SRTIPS-RIGHT EDGE	1
33	ES-GVL	GVL EAR SAVER	2
34	516-W F	5/16 FENDER WASHER	4

**NOTES:**  
 PART NUMBER BILL OF MATERIAL  
 (XX = BRAND) (XX = COLOR)

GL = GLEANER = GY  
 MF = MASSEY = RD

PROPRIETARY AND CONFIDENTIAL  
 THE INFORMATION CONTAINED IN THIS  
 DRAWING IS THE SOLE PROPERTY OF  
 GVL. ANY REPRODUCTION IN PART OR  
 AS A WHOLE WITHOUT THE WRITTEN  
 PERMISSION OF GVL IS PROHIBITED.

	NAME	DATE	<b>GVL</b>		
DRAWN	ALS	5/21/08			
CHECKED			<b>AGCO 38" CENTER -HUGGER GVL I</b>		
ENG APPR.					
MFG APPR.					
Q.A.					
COMMENTS:			SIZE	DWG. NO.	REV
			<b>B</b>	<b>XX H 3823</b>	
			SCALE: 1:12	WEIGHT:	SHEET 1 OF 1