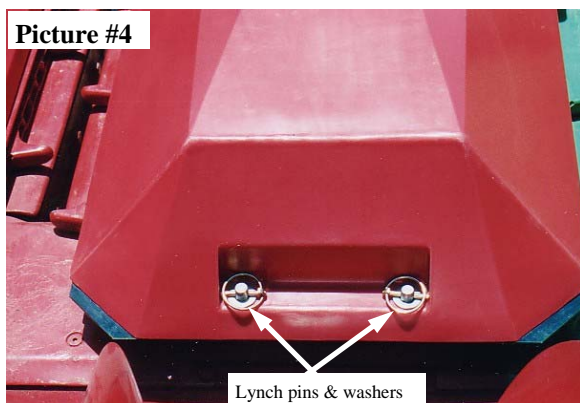
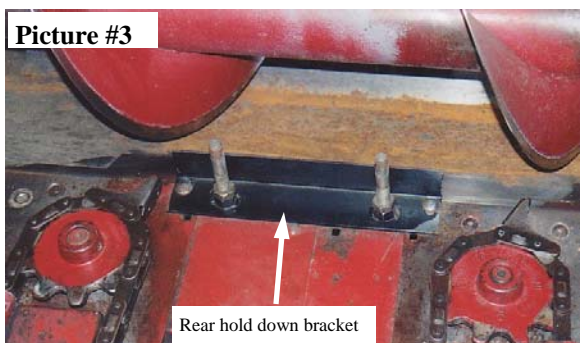
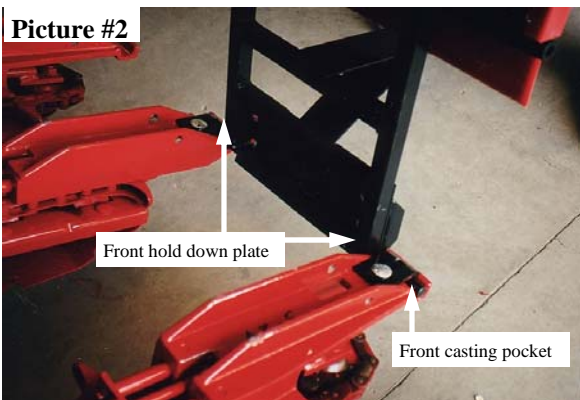
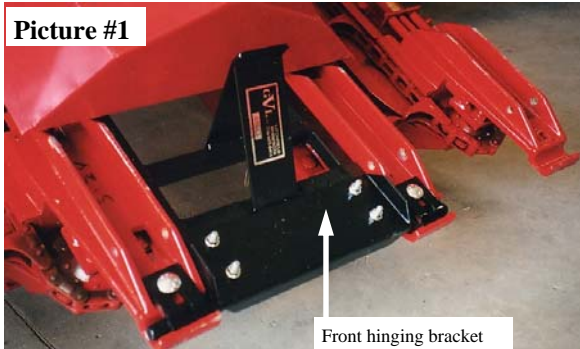


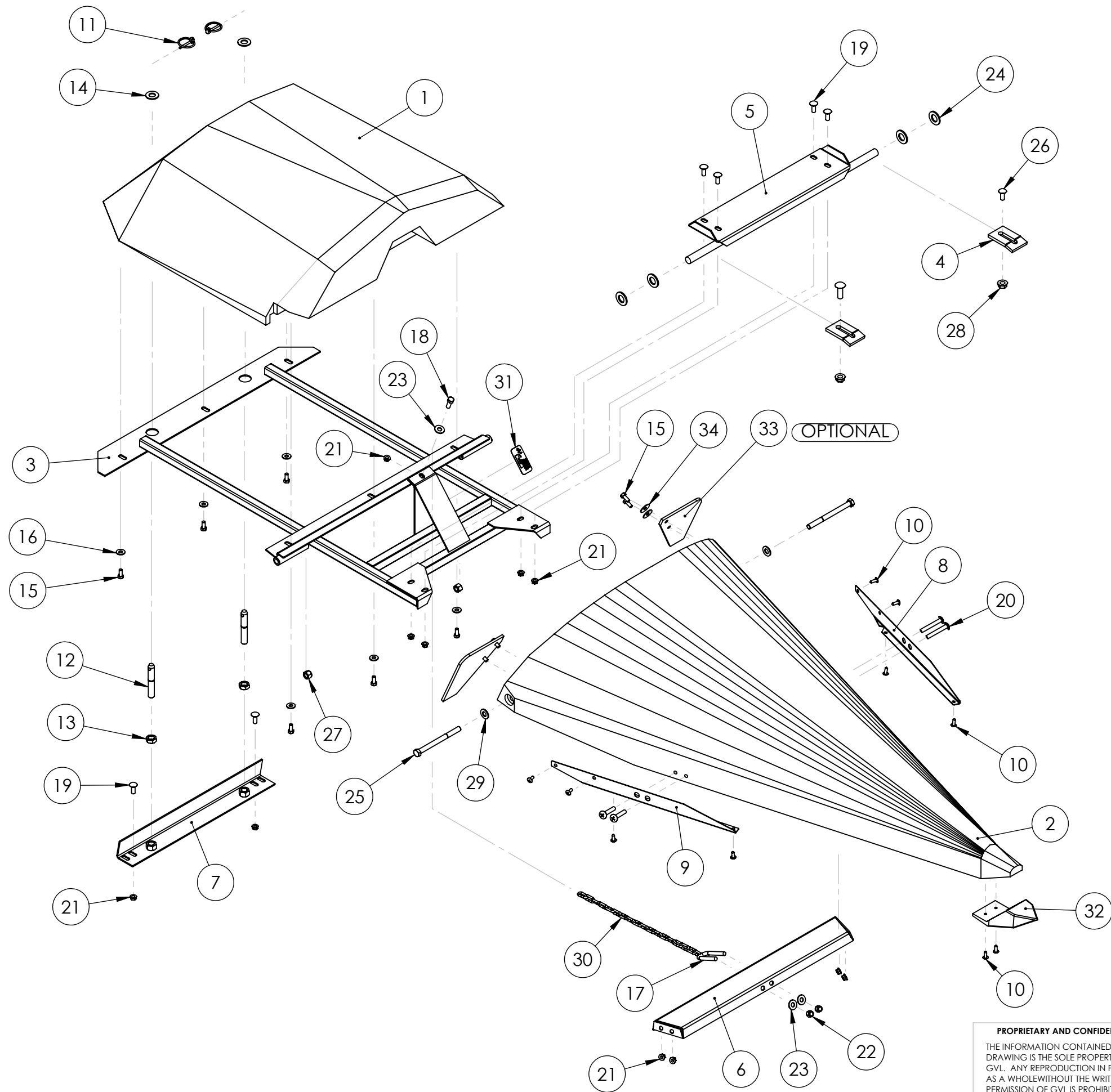


The Original Farmer Designed
59711 U.S. Hwy 12, Litchfield, MN 55355
1-888-485-8411

Assembly Instructions Case IH 800 Series 36" Center (CI 83613)



1. Remove metal Gatherer Shields.
2. Remove all hinges, bracket, latches and support rods.
3. Install the front hinging bracket (**Item #5**) to the front of Gatherer frame using 3/8" x 1" carriage bolts and nuts. (**Leave loose**) (**Picture #1**)
4. Install GVL Gatherer Shields (**3/4" shaft sits in front casting pockets.**) (**Picture #2**)
5. Use 3/4" washer (**Item #24**) over 3/4" shaft to eliminate side-to-side play.
6. Install flat slotted hold-down plates (**Item #4**) over the shafts on both sides and bolt them down with 1/2" carriage bolts and nuts. (**Tighten Nuts**) (**Picture #2**)
7. Position and center the Gatherer Shield. Tighten the front hinging bracket. (**Item #5**)
8. Install rear hold-down bracket (**Item #7**) through the holes in the back of the Gatherer. (**Picture #3**)
9. Lower Gatherer Shield down on the corn head. (**May need to remove bolts in the corn-head so the rear hold-down bracket (Item #7) sits flat on the head.**)
10. Make sure the Gatherer Shield is centered in the back.
11. Hold the rear hold-down bracket (**Item #7**) down flat on the head and raise the Gatherer Shield.
12. Mark the slotted holes, center punch them and drill 3/8" holes.
13. Bolt the rear hold-down bracket to the head using 3/8" carriage bolts. (**Leave loose**) (**Picture #4**)
14. Adjust the bracket so the pins line up with the holes in the Gatherer Shield.
15. Lock the Gatherer Shield down with 5/8" washers (**Item #14**) and lock pins (**Item #11**) (**Picture #4**)
16. Adjust the hold-down pins up or down so the lock pins go in snug. (Check yearly.)
17. **Check to make sure the drive clutch does not touch any bolts or pins.**
18. Remove PVC pipe that is around the adjustment chain. (**For shipping and handling only!**)
19. **Tighten all bolts and nuts.**



ITEM NO.	PART NUMBER	DESCRIPTION	QTY.
1	RD 03701	36"/38" CENTER BACK RED	1
2	RD 13700	36"/38" CENTER GATHERER FRONT	1
3	UN 13602	36" UNI MAIN FRAME	1
4	CI 00005	CI FRONT HOLD DOWN PLATE	2
5	CI 03712	37" FRT HINGING BRKT	1
6	UN 13703	36"-38" FRONT GATH BRACKET	1
7	JD 43704	37" REAR HOLD DOWN BRACKET	1
8	UN 21001	SS WEAR STRIPS-LEFT EDGE	1
9	UN 21002	SS WEAR STRIPS-RIGHT EDGE	1
10	14-34 TTS	1/4"x3/4" SELF TAP SCREW	10
11	14-LP	1/4" LYNCH PIN	2
12	58-4 HDP	5/8"x4" LG HOLD DOWN PIN	2
13	58-JN	5/8" JAM NUT	2
14	58-W SAE	5/8" SAE WASHER	2
15	516-34 HB	5/16"x3/4" HX HD BOLT	10
16	516-W USS	5/16" USS FLAT WASHER	6
17	38-3 UB	3/8" X 3" U-BOLT	1
18	38-1 HB	3/8"x1" HX HD BOLT	1
19	38-1 CB	3/8"x1" CARR BOLT-SHORT NECK	6
20	38-134 THB	3/8" X 1-3/4" PHILLIPS TRUSS HEAD BOLT	4
21	38-FSN	3/8" FLANGE SERRATED NUT	11
22	38-NLN	3/8" NYLON LOCK NUT	2
23	38-W USS	3/8" USS FLAT WASHER	3
24	34-W SAE	3/4" SAE WASHER	4
25	12-150 MHB	12X150MM HX HD METRIC BOLT	2
26	12-112 CB	1/2"x1 1/2" CARR BOLT	1
27	12-MLN	12mm METRIC LOCK NUT	2
28	12-FSN	1/2" FLANGE SERRATED NUT	2
29	12-W SAE	1/2" SAE WASHER	2
30	PCC-316	3/16" PROOF CHAIN 19 LINK	19
31	SN-531	SERIAL NUMBER TAG	1
32	WP-96	WHITE WEAR POINT	1
33	ESB-GVL	GVL EAR SAVER	2
34	516-W F	5/16 FENDER WASHER	4

	NAME	DATE
DRAWN	ALS	6/17/08
REVISED	MLB	10-30-12
ENG APPR.		
MFG APPR.		
Q.A.		
COMMENTS:		

GVL POLY

TITLE:
**CI 36" 800 SERIES
 CENTER GVL I**

SIZE B	DWG. NO. CI 83613	REV B
------------------	-----------------------------	-----------------

SCALE: 1:1 | WEIGHT: | SHEET 1 OF 1

PROPRIETARY AND CONFIDENTIAL
 THE INFORMATION CONTAINED IN THIS DRAWING IS THE SOLE PROPERTY OF GVL. ANY REPRODUCTION IN PART OR AS A WHOLE WITHOUT THE WRITTEN PERMISSION OF GVL IS PROHIBITED.