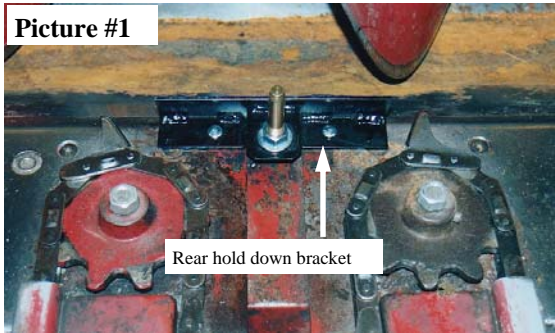




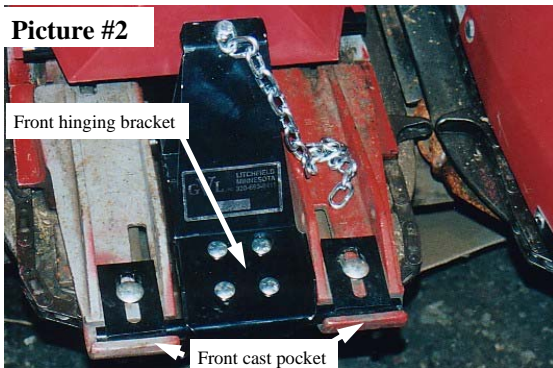
*The Original Farmer Designed*  
59711 U.S. Hwy 12, Litchfield, MN 55355  
1-888-485-8411

## Assembly Instructions Case IH 900 & 1000 Series 22" Center GVL I (CI 92213-S or CI 92213)

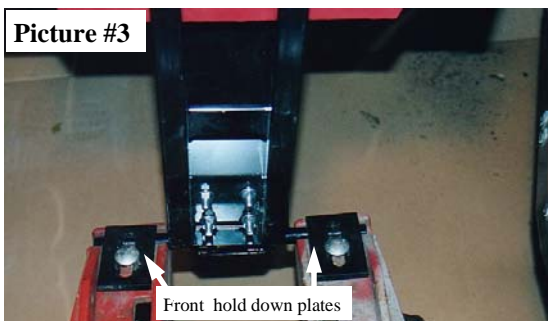
Picture #1



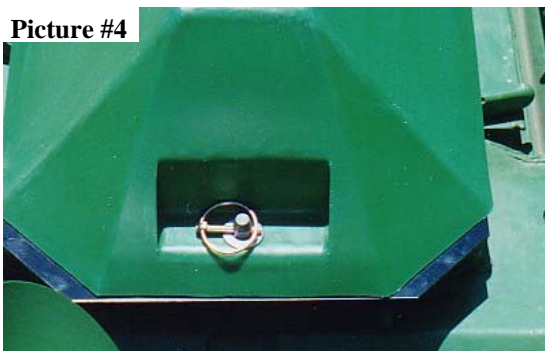
Picture #2



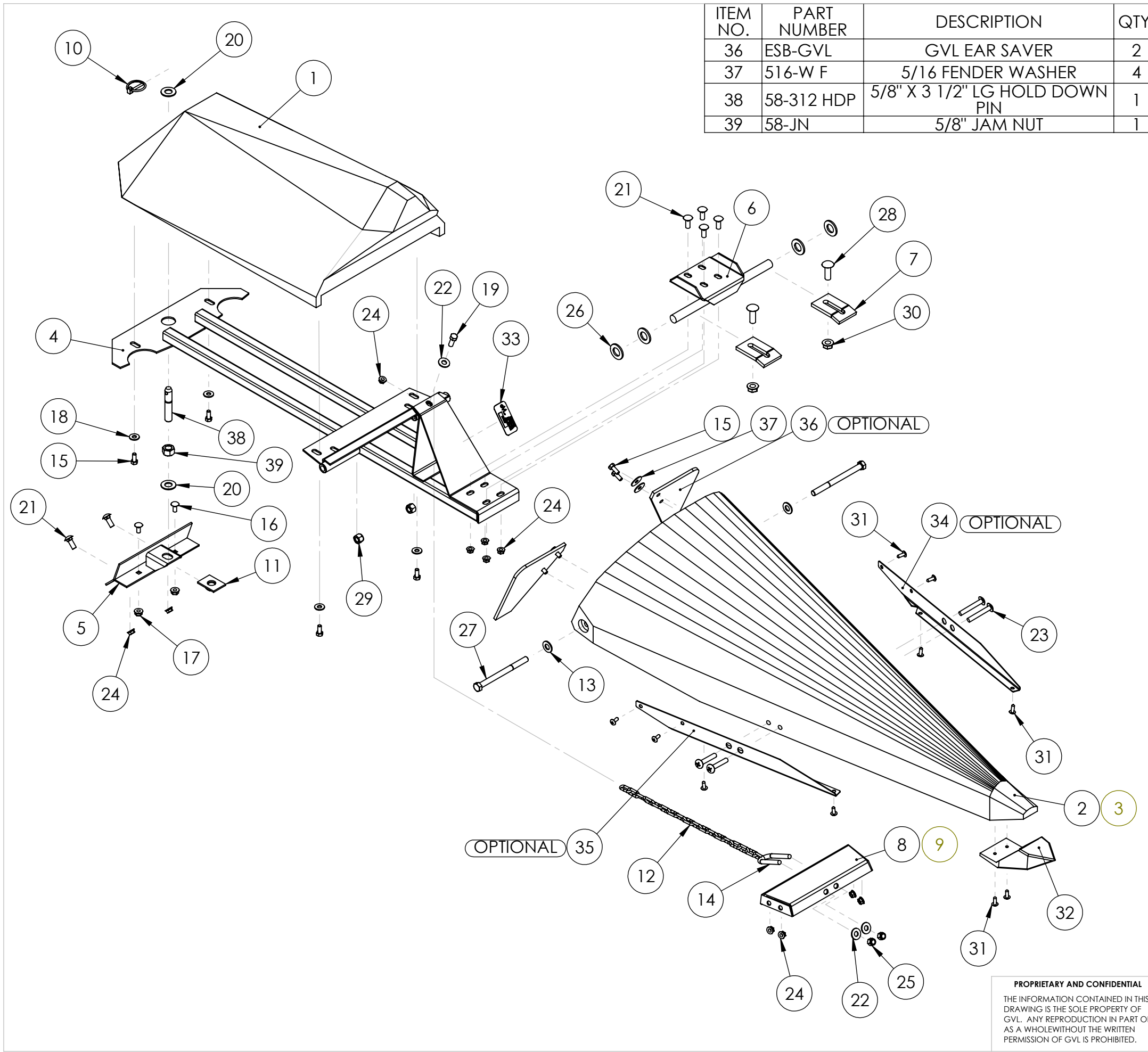
Picture #3



Picture #4



1. Remove metal Gatherer Shields.
2. Remove all hinges, brackets, latches and support rods.
3. Install rear hold-down bracket (**Item #5**) using 3/8" x 1" carriage bolts and nuts in existing holes. Use 5/16" x 3/4" bolts and nuts to fasten the front of the bracket. (**5/16" holes must be drilled**) (**Picture #1**)
4. Install the front hinging bracket (**Item #6**) to the front of Gatherer frame using 3/8" x 1" carriage bolts and nuts. (**Leave loose**) (**Picture #2**)
5. Install **GVL Gatherer Shield (3/4" shaft sits in front casting pocket.)** (**Picture #3**)
6. Use 3/4" washer (**Item #26**) over 3/4" shaft to eliminate side-to side play.
7. Install slotted hold-down plates (**Item #7**) over the shafts on both sides and bolt them down with 1/2" carriage bolts and nuts. (**Tighten Nuts**) (**Picture #3**)
8. Position and center the Gatherer Shield. Tighten the front hinging bracket. (**Item #6**)
9. Lock the Gatherer Shield down with 5/8" washer (**Item #20**) and lock pin (**Item #10**). (**Picture #4**)
10. Adjust the hold-down pin up or down so the lock pin goes in snug. (Check yearly.)
11. **Check to make sure the drive clutch does not touch any bolts or pins.**
12. Remove PVC pipe that is around the adjustment chain. (**For shipping and handling only!**)
13. **Tighten all bolts and nuts.**



ITEM NO.	PART NUMBER	DESCRIPTION	QTY.	ITEM NO.	PART NUMBER	DESCRIPTION	QTY.
36	ESB-GVL	GVL EAR SAVER	2	1	RD 02201	22" CENTER BACK RED	1
37	516-W F	5/16 FENDER WASHER	4	2	RD 12200-S	22" SHORT CENTER GATHERER FRONT RED	1
38	58-312 HDP	5/8" X 3 1/2" LG HOLD DOWN PIN	1	3	RD 12200	22" LONG CENTER GATHERER FRONT RED	1
39	58-JN	5/8" JAM NUT	1	4	UN 12202	22" UNI MAIN FRAME	1
				5	CI 92204	22" REAR HOLD DN BRKT-900/1000	1
				6	CI 02212	22" FRT HINGING BRKT	1
				7	CI 00005	CI FRONT HOLD DOWN PLATE	2
				8	UN 12203-S	22" FRONT GATH BRKT-SHORT	1
				9	UN 12203	22" FRONT GATH BRKT-LONG	1
				10	14-LP	1/4" LYNCH PIN	1
				11	UN 00006	5/8" JAM NUT PLATE	1
				12	PCC-316	3/16" PROOF CHAIN 19 LINK	1
				13	12-W SAE	1/2" SAE WASHER	2
				14	38-3 UB	3/8" X 3" U-BOLT	1
				15	516-34 HB	5/16"x3/4" HX HD BOLT	8
				16	516-34 CB	5/16"x3/4" CARRAGE BOLT	2
				17	516-FSN	5/16" FLANGE SERRATED NUT	2
				18	516-W USS	5/16" USS WASHER	4
				19	38-1 HB	3/8"x1" HX HD BOLT	1
				20	58-W SAE	5/8" SAE WASHER	2
				21	38-1 CB	3/8"x1" CARR BOLT-SHORT NECK	6
				22	38-W USS	3/8" USS FLAT WASHER	3
				23	38-134 THB	3/8" X 1-3/4" PHILLIPS TRUSS HEAD BOLT	4
				24	38-FSN	3/8" FLANGE SERRATED NUT	11
				25	38-NLN	3/8" NYLON LOCK NUT	2
				26	34-W SAE	3/4" SAE WASHER	4
				27	12-150 MHB	12X150MM HX HD METRIC BOLT	2
				28	12-112 CB	1/2"x1 1/2" CARR BOLT	2
				29	12-MLN	12mm METRIC LOCK NUT	2
				30	12-FSN	1/2" FLANGE SERRATED NUT	2
				31	14-34 TTS	1/4"x3/4" SELF TAP SCREW	10
				32	WP-96	WHITE WEAR POINT	1
				33	SN-531	SERIAL NUMBER TAG	1
				34	UN 21001	SS WEAR STRIPS-LEFT EDGE	1
				35	UN 21002	SS WEAR STRIPS-RIGHT EDGE	1

**PROPRIETARY AND CONFIDENTIAL**  
 THE INFORMATION CONTAINED IN THIS DRAWING IS THE SOLE PROPERTY OF GVL. ANY REPRODUCTION IN PART OR AS A WHOLE WITHOUT THE WRITTEN PERMISSION OF GVL IS PROHIBITED.

	NAME	DATE	<b>GVL POLY</b> <b>TITLE: CI 22" 900-1000 SERIES CENTER GVL I</b>
DRAWN	ALS	5/23/08	
REVISED	MLB	11-12-12	
ENG APPR.			
MFG APPR.			
Q.A.			SIZE <b>B</b> DWG. NO. <b>CI 92213-S</b> REV <b>A</b> <b>CI 92213</b>
COMMENTS:			SCALE: 1:9 WEIGHT: SHEET 1 OF 1