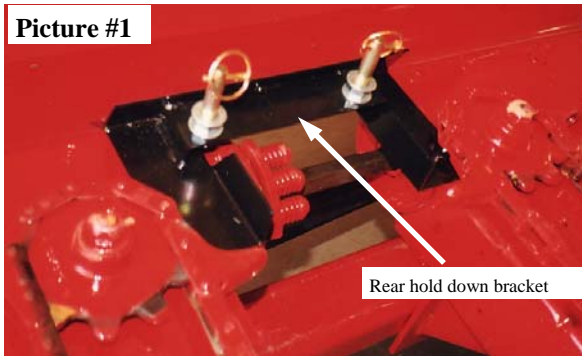




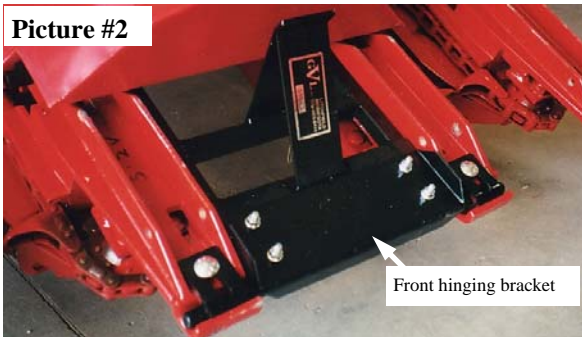
The Original Farmer Designed
59711 U.S. Hwy 12, Litchfield, MN 55355
1-888-485-8411

Assembly Instructions Case IH 900 & 1000 Series 36" Center GVL I (CI 93613)

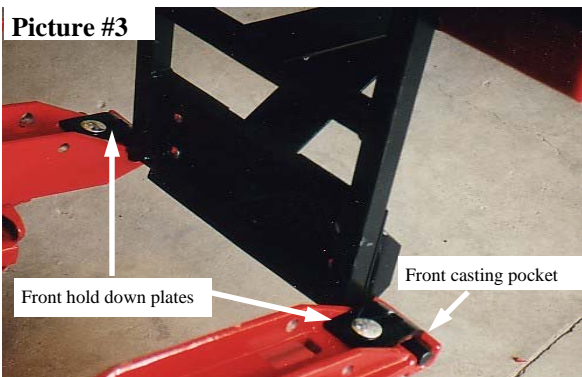
Picture #1



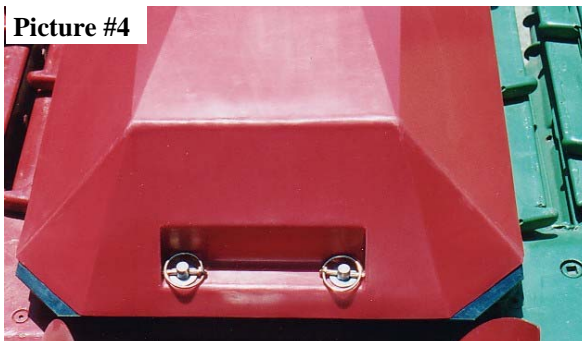
Picture #2



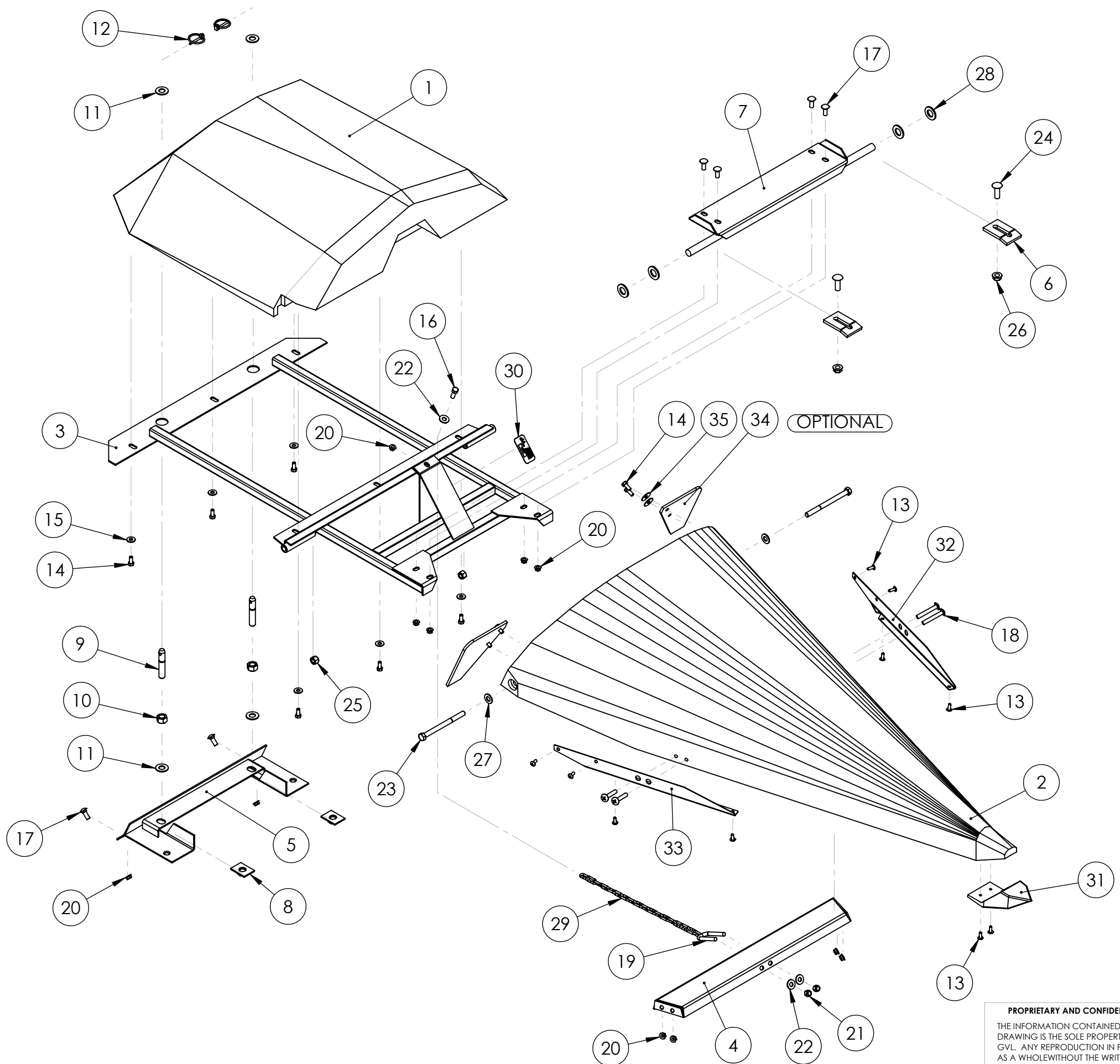
Picture #3



Picture #4



1. Remove metal Gatherer Shields.
2. Remove all hinges, brackets, latches and support rods.
3. Install rear hold-down bracket (**Item #5**) using the same holes, bolts and nuts. (**Picture #1**)
4. Install the front hinging bracket (**Item #7**) to the front of Gatherer frame using 3/8" x 1" carriage bolts and nuts. (**Leave loose**) (**Picture #2**)
5. Install GVL Gatherer Shield (3/4" shaft sits in front casting pocket.) (**Picture #3**)
6. Use 3/4" washer (**Item #28**) over 3/4" shaft to eliminate side-to side play.
7. Install slotted hold-down plates (**Item #6**) over the shafts on both sides and bolt them down with 1/2" carriage bolts and nuts. (**Tighten Nuts**)
8. Position and center the Gatherer Shield. Tighten the front hinging bracket. (**Item #7**)
9. Lock the Gatherer Shield down with 5/8" washers (**Item #11**) and lock pins (**Item #12**). (**Picture #4**)
10. Adjust the hold-down pins up or down so the lock pins go in snug. (Check yearly.)
11. **Check to make sure the drive clutch does not touch any bolts or pins.**
12. Remove PVC pipe that is around the adjustment chain. (**For shipping and handling only!**)
13. **Tighten all bolts and nuts.**



ITEM NO.	PART NUMBER	DESCRIPTION	QTY.
1	RD 03701	36"/38" CENTER BACK RED	1
2	RD 13700	36"/38" CENTER GATHERER FRONT	1
3	UN 13602	36" UNI MAIN FRAME	1
4	UN 13703	36"-38" FRONT GATH BRACKET	1
5	CI 93604	36" REAR HOLD DN BRKT-900/1000	1
6	CI 00005	CI FRONT HOLD DOWN PLATE	2
7	CI 03712	37" FRT HINGING BRKT	1
8	UN 00006	5/8" JAM NUT PLATE	2
9	58-312 HDP	5/8" X 3 1/2" LG HOLD DOWN PIN	2
10	58-JN	5/8" JAM NUT	2
11	58-W SAE	5/8" SAE WASHER	4
12	14-LP	1/4" LYNCH PIN	2
13	14-34 TTS	1/4"x3/4" SELF TAP SCREW	10
14	516-34 HB	5/16"x3/4" HX HD BOLT	10
15	516-W USS	5/16" USS FLAT WASHER	6
16	38-1 HB	3/8"x1" HX HD BOLT	1
17	38-1 CB	3/8"x1" CARR BOLT-SHORT NECK	6
18	38-134 THB	3/8" X 1-3/4" PHILLIPS TRUSS HEAD BOLT	4
19	38-3 UB	3/8" X 3" U-BOLT	1
20	38-FSN	3/8" FLANGE SERRATED NUT	11
21	38-NLN	3/8" NYLON LOCK NUT	2
22	38-W USS	3/8" USS FLAT WASHER	3
23	12-150 MHB	12X150MM HX HD METRIC BOLT	2
24	12-112 CB	1/2"x1 1/2" CARR BOLT	2
25	12-MLN	12mm METRIC LOCK NUT	2
26	12-FSN	1/2" FLANGE SERRATED NUT	2
27	12-W SAE	1/2" SAE WASHER	2
28	34-W SAE	3/4" SAE WASHER	4
29	PCC-316	3/16" PROOF CHAIN 19 LINK	19
30	SN-531	SERIAL NUMBER TAG	1
31	WP-96	WHITE WEAR POINT	1
32	UN 21001	SS WEAR STRIPS-LEFT EDGE	1
33	UN 21002	SS WEAR STRIPS-RIGHT EDGE	1
34	ESB-GVL	GVL EAR SAVER	2
35	516-W F	5/16" FENDER WASHER	4

	NAME	DATE
DRAWN	ALS	6/18/08
REVISED	MLB	10-30-12
ENG APPR.		
MFG APPR.		
Q.A.		
COMMENTS:		

GVL POLY

TITLE: CI 36" 900/1000 SERIES CENTER GVL I

SIZE	DWG. NO.	REV
B	CI 93613	B
SCALE: 1:11	WEIGHT:	SHEET 1 OF 1

PROPRIETARY AND CONFIDENTIAL
 THE INFORMATION CONTAINED IN THIS DRAWING IS THE SOLE PROPERTY OF GVL. ANY REPRODUCTION IN PART OR AS A WHOLE WITHOUT THE WRITTEN PERMISSION OF GVL IS PROHIBITED.