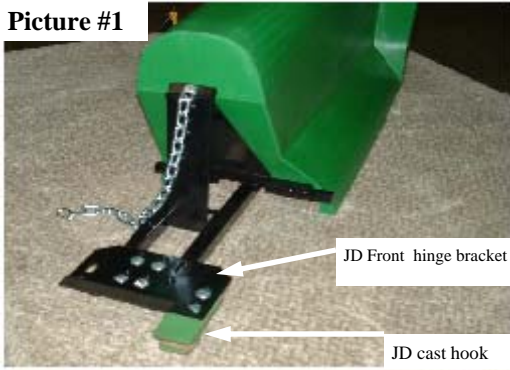




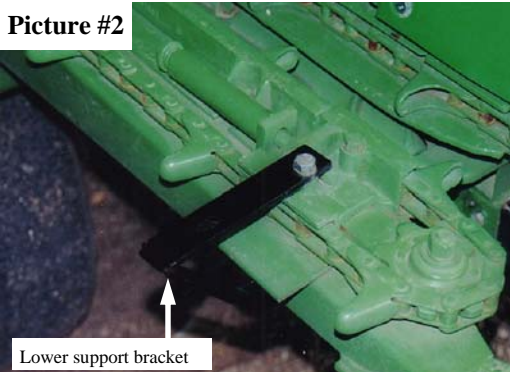
The Original Farmer Designed
59711 U.S. Hwy 12, Litchfield, MN 55355
1-888-485-8411

Assembly Instructions John Deere 40 Series 20 End Right (JD 44413L-S or JD 44413L)

Picture #1



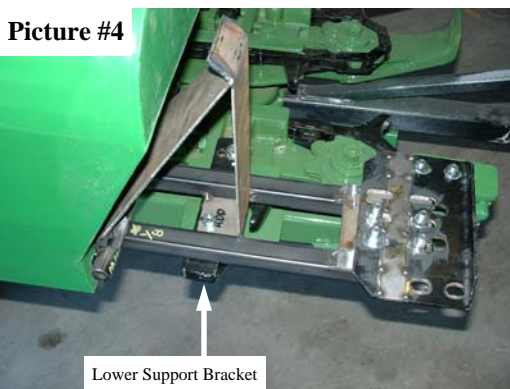
Picture #2



Picture #3

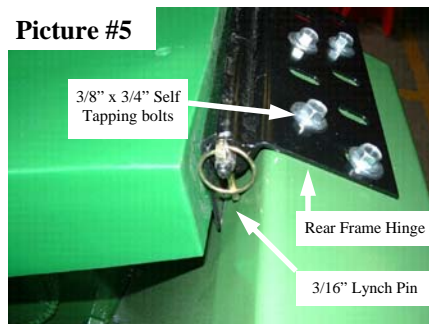


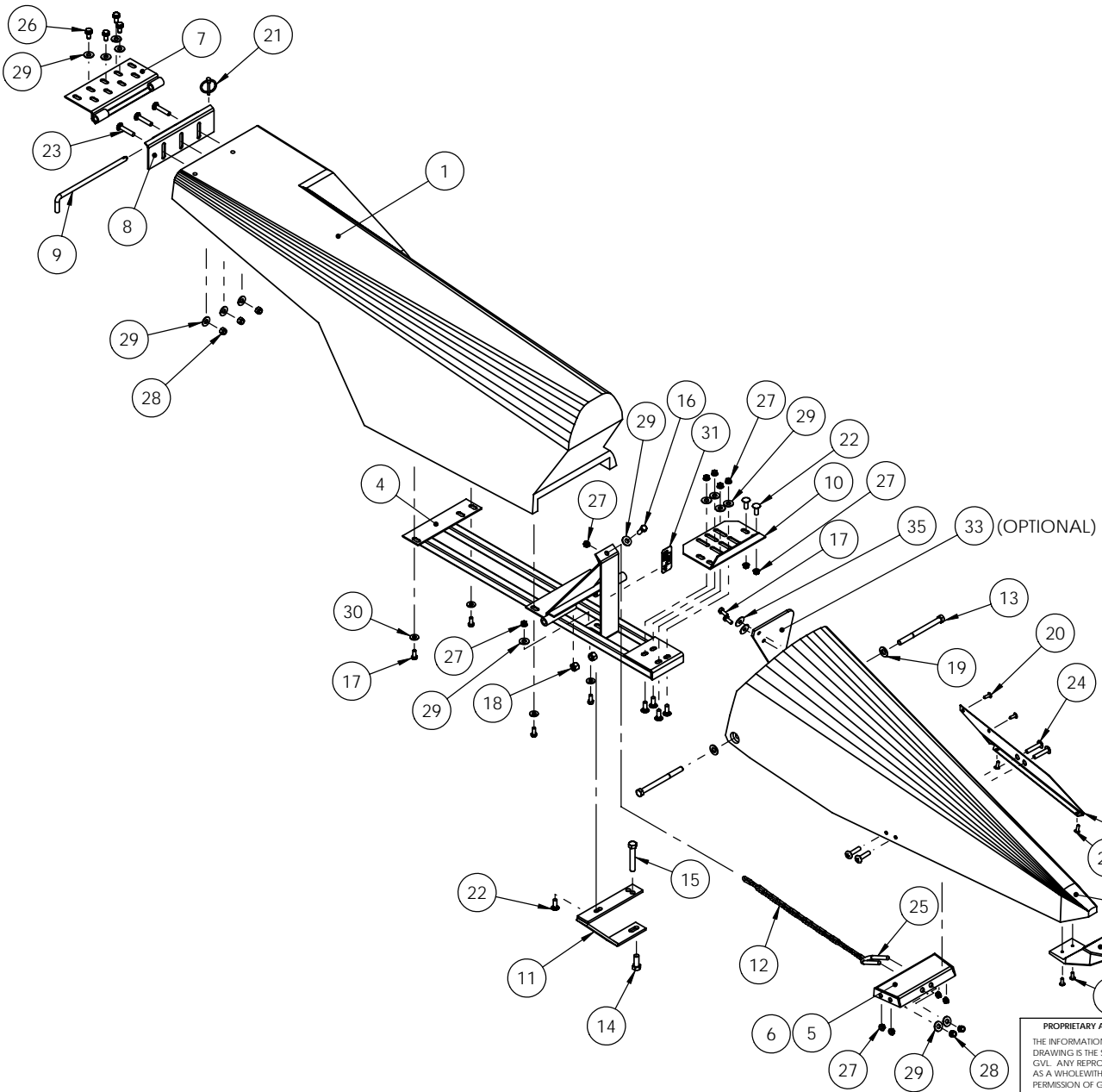
Picture #4



1. Remove old metal Gatherer Shields, brackets and braces.
(For Low-tin Models: Keep JD cast hooks)
2. **Instruction for Low-tin Models:** Mount one JD cast hook on the front hinge bracket using 3/8" x 1" carriage bolts and nuts. Bolt the bracket to the **GVL** main frame. **(leave loose)**. **Cut the outer part of the hinge off, only one hook is needed.**
Instructions for Hi-tin Models: Hi-tin for JD models do not hinge forward, they are bolted solid. To convert over to the **GVL** ends you must purchase and install hooks and hinges from your John Deere Dealer. Hook-Part # H113237 (One per end)
(Picture #1) Hinge-Part # H91215 (One per end)
3. Remove the front bolt from grass stripper on bottom and remove the outside bolt from the gathering chain tightening bracket.
4. Install the right lower support bracket **(Picture #2) (ITEM # 11)** using a 1/2" x 1 1/4" bolt in the grass stripper hole and a 1/2" x 3" bolt in the outside hole of the gathering chain tightening bracket.
5. Mount the rear gatherer hinge using three 3/8" x 2" carriage bolts, washers and nylon lock nuts. (Leave loose) **(Picture #3) (ITEM#8)**
6. Install the front of the **GVL** fender and rest the frame on the lower support bracket. **(Picture #4) (ITEM # 11)**
7. Slide the frame with the gatherer shield back.
8. Assemble the Rear Frame Hinge with the long L-shaped pin **(ITEM #9)** and secure it with the 3/16" lynch pin. **(Picture #5)**
9. Position and align the gatherer.
10. Position the Hinge on top of the rear tube and drill 5/16" holes.
11. Fasten the Rear Hinge **(ITEM # 7)** to the frame with 3/8" x 3/4 self tapping hex head bolts. (Provided) **(Picture #5)**
12. **TIGHTEN ALL THE BOLTS AND NUTS.**
13. Bolt the right Main Frame to the lower support bracket using a 3/8" x 1" bolt, washer and nut.
14. Install the front snout **(ITEM # 2 OR 3)** using the 12 x 150 mm head bolts. (Make sure the 1/2" washers are placed on the bolt before putting them through the hole in the plastic.)

Picture #5





| ITEM NO. | PART NUMBER | DESCRIPTION | QTY. |
|----------|-------------|--------------------------------|------|
| 1 | GN 14411-L | 20's END RIGHT BACK LONG GREEN | 1 |
| 2 | GN 14400-S | 20's RIGHT END SHORT GREEN | 1 |
| 3 | GN 14400 | 20's RIGHT END LONG GREEN | 1 |
| 4 | UN 04412 | UNI RIGHT MAIN FRAME-20 LONG | 1 |
| 5 | UN 11403-S | END FRONT GATH BRKT-20-SHORT | 1 |
| 6 | UN 11403 | END FRONT GATH BRKT-20-LONG | 1 |
| 7 | JD 46724 | REAR FRAME HINGE | 1 |
| 8 | JD 46725 | REAR GATHERER HINGE | 1 |
| 9 | JD 46726 | HINGE PIN ENDS | 1 |
| 10 | JD 41402 | FRONT HINGE BRACKET | 1 |
| 11 | JD 01407 | LOWER SUPPORT BRACKET | 1 |
| 12 | PCC-316 | 3/16 PROOF COIL CHAIN | 21 |
| 13 | 12-150 MHB | 12X150 HX HD METRIC BOLT | 2 |
| 14 | 12-114 HB | 1/2"x1 1/4" HX HD BOLT | 1 |
| 15 | 12-3 HB | 1/2"x3" HX HD BOLT | 1 |
| 16 | 38-1 HB | 3/8"x1" HX HD BOLT | 1 |
| 17 | 516-34 HB | 5/16"x3/4" HX HD BOLT | 6 |
| 18 | 12-MLN | 12 METRIC LOCK NUT | 2 |
| 19 | 12-W SAE | 1/2" SAE WASHER | 2 |
| 20 | 14-34 TTS | 1/4"x3/4" TR TAPPING SCREW | 6 |
| 21 | 316-LP | 3/16" LYNCH PIN | 1 |
| 22 | 38-1 CB | 3/8"x1" CARR BOLT-SHORT NECK | 7 |
| 23 | 38-2 CB | 3/8"x2 CARR BOLT | 3 |
| 24 | 38-134 THB | 3/8"x1 3/4" TRUSS HEAD BOLT | 4 |
| 25 | 38-3 UB | 3/8"x3" U-BOLT | 1 |
| 26 | 38-34 HWH | 3/8"x 3/4" SELF TAP HEX HB | 4 |
| 27 | 38-FSN | 3/8" FLANGE SERRATED NUT | 12 |
| 28 | 38-NLN | 3/8" NYLON LOCK NUT | 5 |
| 29 | 38-W USS | 3/8" USS FLAT WASHER | 15 |
| 30 | 516-W USS | 5/16" USS FLAT WASHER | 4 |
| 31 | SN-531 | SERIAL NUMBER TAG | 1 |
| 32 | WP-96 | Wear Point | 1 |
| 33 | ES-GVL | GVL EAR SAVER | 1 |
| 34 | UN 21001 | SS WEAR SRTIPS-LEFT EDGE | 1 |
| 35 | 516-W F | 5/16 FENDER WASHER | 2 |

| | NAME | DATE |
|-----------|------|---------|
| DRAWN | ALS | 4/15/08 |
| CHECKED | | |
| ENG APPR. | | |
| MFG APPR. | | |
| Q.A. | | |
| COMMENTS: | | |

GVL

TITLE:
**JD 20's RIGHT END
40 SERIES GVL I**

PROPRIETARY AND CONFIDENTIAL
THE INFORMATION CONTAINED IN THIS DRAWING IS THE SOLE PROPERTY OF GVL. ANY REPRODUCTION IN PART OR AS A WHOLE WITHOUT THE WRITTEN PERMISSION OF GVL IS PROHIBITED.

| | | |
|------------------|--|--------------|
| SIZE B | DWG. NO. JD 44413L-S JD 44413L | REV |
| SCALE: 1:11 | WEIGHT: | SHEET 1 OF 1 |