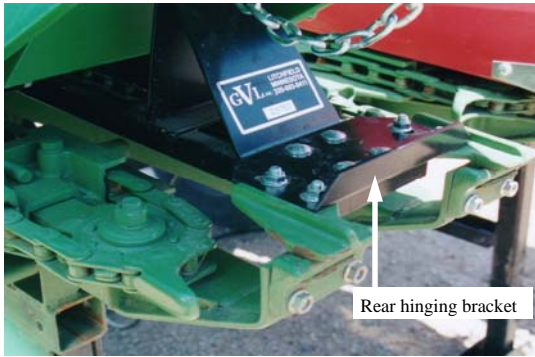
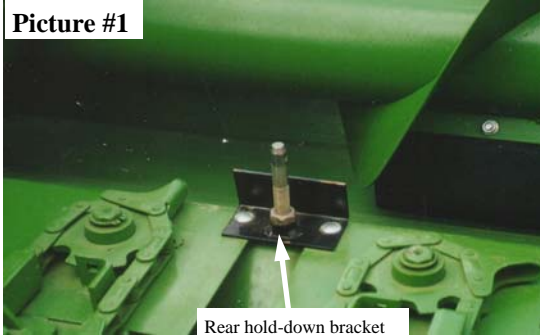




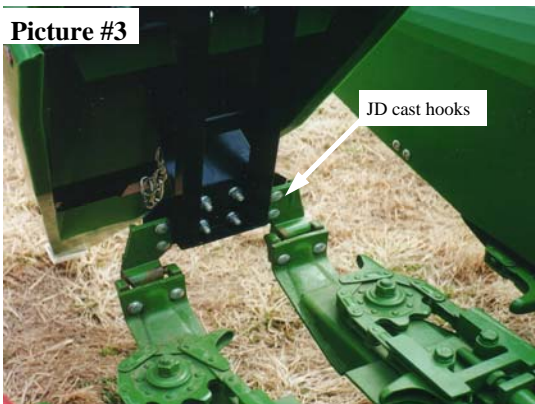
*The Original Farmer Designed*  
59711 U.S. Hwy 12, Litchfield, MN 55355  
1-888-485-8411

## Assembly Instructions John Deere 40 Series 22" Center GVL I (JD 42213-S or JD 42213)

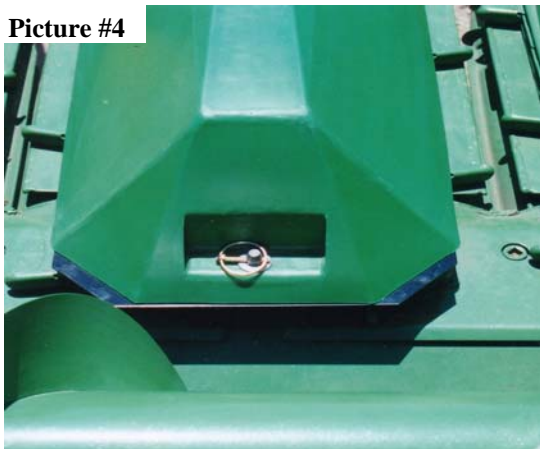
Picture #1



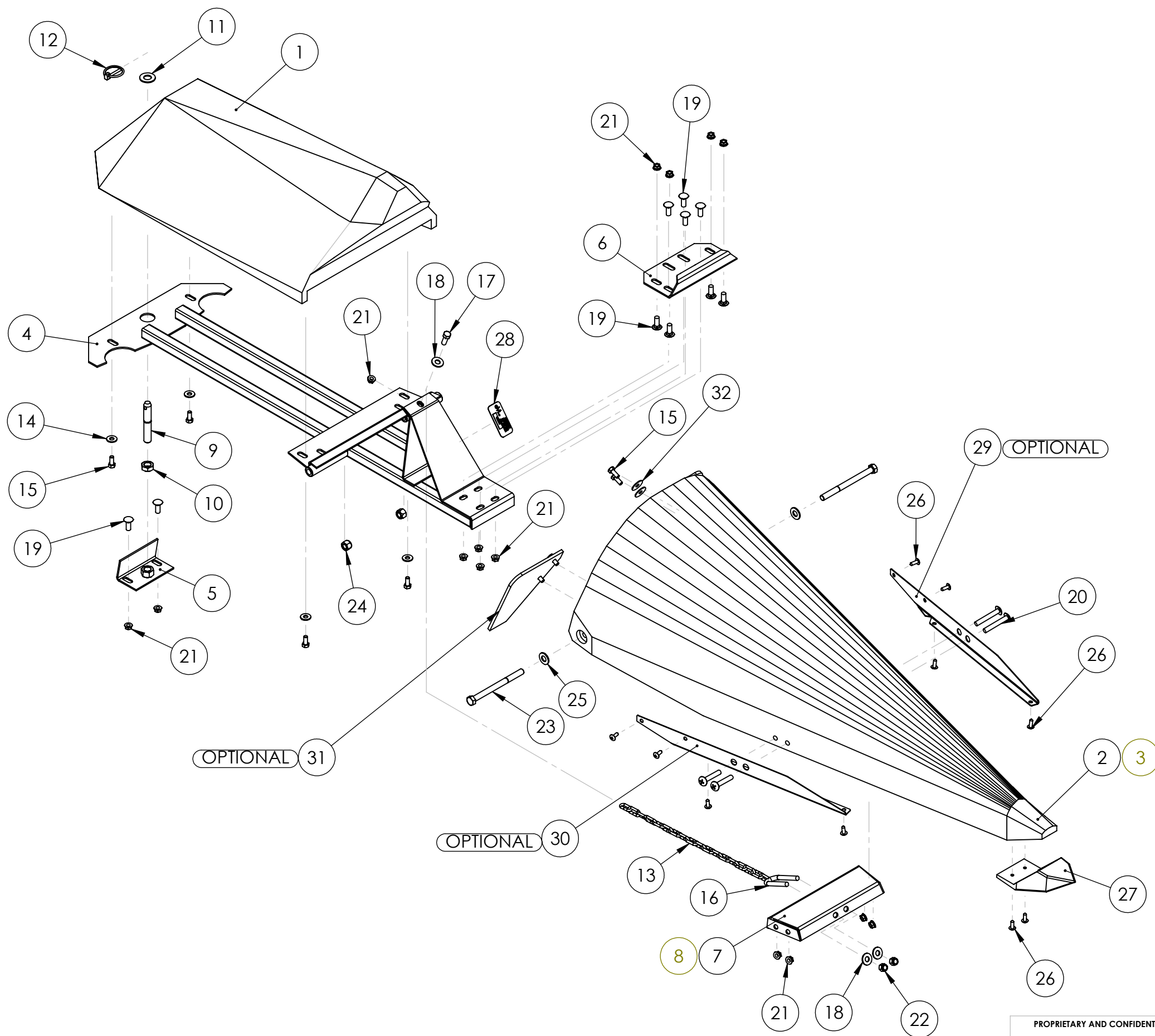
Picture #3



Picture #4



1. Remove old metal Gatherer. **(Keep JD cast hooks)**
2. Remove rear-latching bracket from head.
3. Install the **GVL** rear hold-down bracket **(Item #5)** using 3/8" x 1" carriage bolts and nuts in the existing holes. **(Leave loose) (Picture #1)**
4. Install the front hinging bracket **(Item #6)** to the front of the **GVL** Universal Main frame **(Item #4)** using the 3/8" x 1" carriage bolts and nuts. **(Picture #2)**
5. Install JD cast hooks on the front hinging bracket **(Item #6)** using the 3/8" x 1" carriage bolts and nuts. **(Leave loose) (Picture #3)**  
**(Note: The lip should be to the front and up ward.)**
6. Set the **GVL** Gatherer Shields in place, inserting the hook end first. Next tilt the back down through the rear hold-down pin **(Item #9)**. The pin is tapered to self align. **(Picture #3)**
7. Position the Gatherer Shield and tighten the bolt.
8. Lock the rear of the Shield down with the 5/8" washer **(Item #11)** and lynch pin **(Item #12)** provided. **(Picture #4)**
9. Adjust the hold down pin up or down until the lynch pin fits snug. (Check yearly.)
10. Remove the PVC pipe that is around the adjustment chain. **(For shipping and handling purposes only!)**
11. **Tighten all bolts and nuts.**



ITEM NO.	PART NUMBER	DESCRIPTION	QTY.
1	GN 02201	22" CENTER BACK GREEN	1
2	GN 12200-S	22" SHORT CENTER GATHERER FRONT GREEN	1
3	GN 12200	22" LONG CENTER GATHERER FRONT GREEN	1
4	UN 12202	22" UNI MAIN FRAME	1
5	JD 42204	22" REAR HOLD DOWN BRACKET	1
6	JD 42212	22" FRONT HINGING BRACKET	1
7	UN 12203-S	22" FRONT GATH BRKT-SHORT	1
8	UN 12203	22" FRONT GATH BRKT-LONG	1
9	58-4 HDP	5/8"x4" LG HOLD DOWN PIN	1
10	58-JN	5/8" JAM NUT	1
11	58-W SAE	5/8" SAE WASHER	1
12	14-LP	1/4" LYNCH PIN	1
13	PCC-316	3/16" PROOF CHAIN 19 LINK	1
14	516-W USS	5/16" USS WASHER	4
15	516-34 HB	5/16"x3/4" HX HD BOLT	8
16	38-3 UB	3/8" X 3" U-BOLT	1
17	38-1 HB	3/8"x1" HX HD BOLT	1
18	38-W USS	3/8" USS FLAT WASHER	3
19	38-1 CB	3/8"x1" CARR BOLT-SHORT NECK	10
20	38-134 THB	3/8" X 1-3/4" PHILLIPS TRUSS HEAD BOLT	4
21	38-FSN	3/8" FLANGE SERRATED NUT	15
22	38-NLN	3/8" NYLON LOCK NUT	2
23	12-150 MHB	12X150MM HX HD METRIC BOLT	2
24	12-MLN	12mm METRIC LOCK NUT	2
25	12-W SAE	1/2" SAE WASHER	2
26	14-34 TTS	1/4"x3/4" SELF TAP SCREW	10
27	WP-96	WHITE WEAR POINT	1
28	SN-531	SERIAL NUMBER TAG	1
29	UN 21001	SS WEAR STRIPS-LEFT EDGE	1
30	UN 21002	SS WEAR STRIPS-RIGHT EDGE	1
31	ESB-GVL	GVL EAR SAVER	2
32	516-W F	5/16 FENDER WASHER	4

	NAME	DATE
DRAWN	ALS	5/28/08
REVISED	MLB	11-16-12
ENG APPR.		
MFG APPR.		
Q.A.		
COMMENTS:		

**GVL POLY**

TITLE:  
**JD 22" 40 SERIES CENTER GVL I**

SIZE <b>B</b>	DWG. NO. <b>JD 42213-S JD 42213</b>	REV <b>A</b>
------------------	--	-----------------

SCALE: 1:9    WEIGHT:    SHEET 1 OF 1

**PROPRIETARY AND CONFIDENTIAL**  
THE INFORMATION CONTAINED IN THIS DRAWING IS THE SOLE PROPERTY OF GVL. ANY REPRODUCTION IN PART OR AS A WHOLE WITHOUT THE WRITTEN PERMISSION OF GVL IS PROHIBITED.