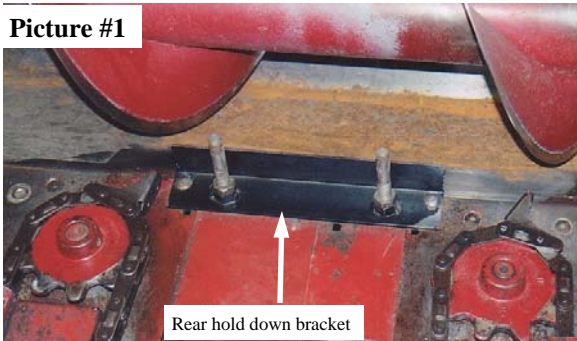




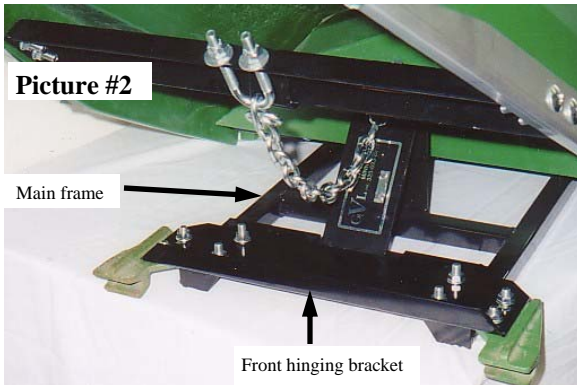
The Original Farmer Designed
59711 U.S. Hwy 12, Litchfield, MN 55355
1-888-485-8411

Assembly Instructions John Deere 40 Series 38" Center GVL I (JD 43813)

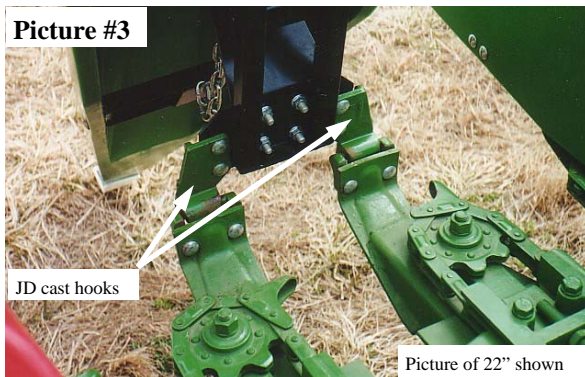
Picture #1



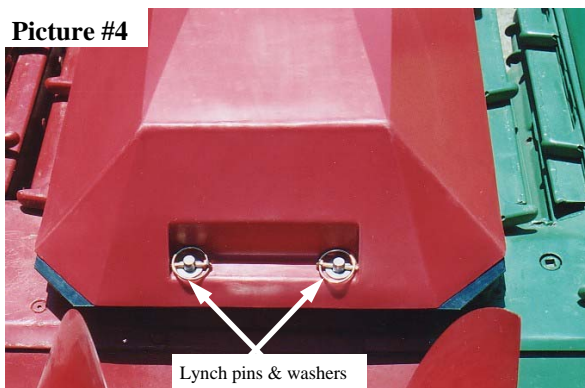
Picture #2



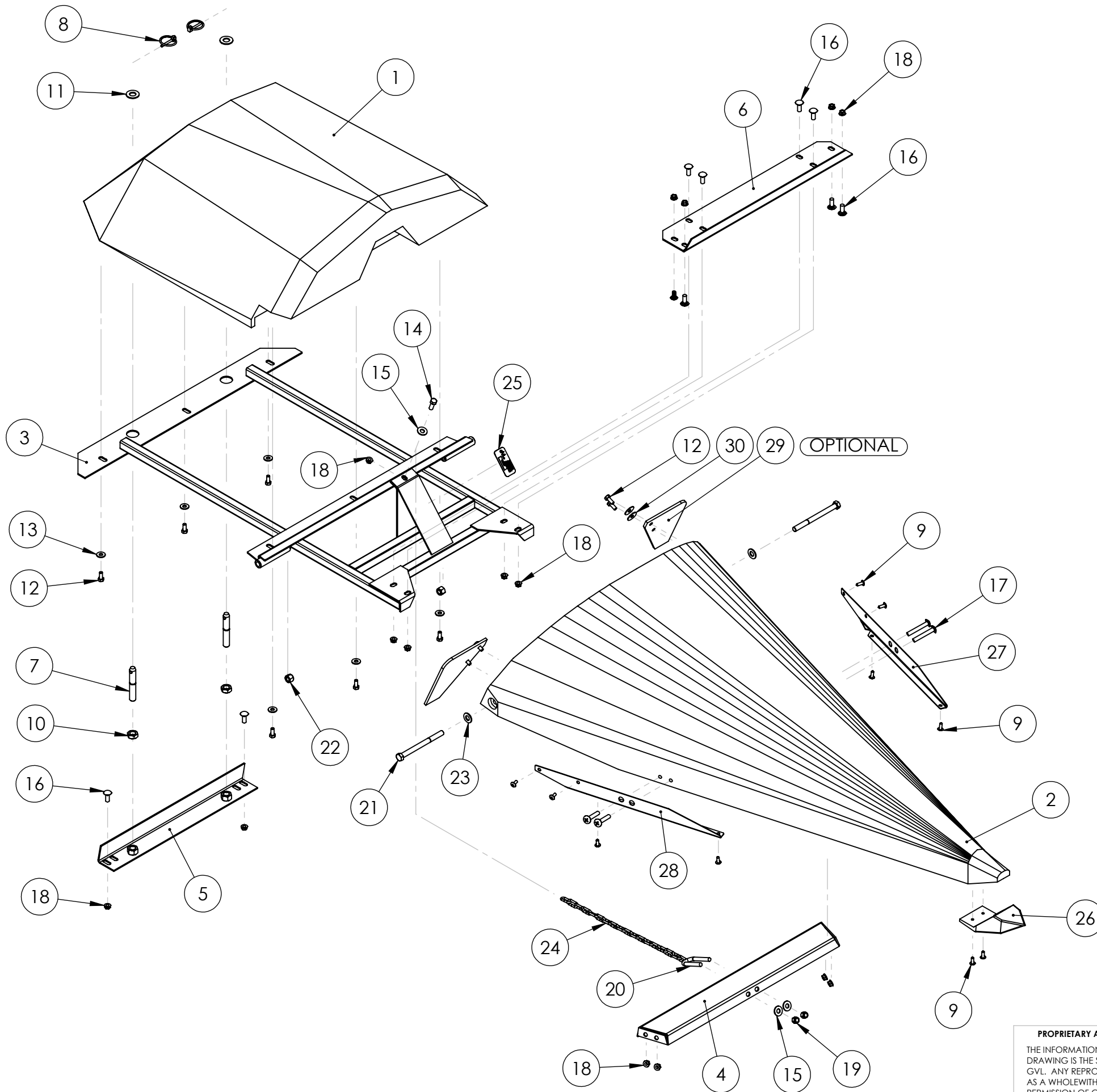
Picture #3



Picture #4



1. Remove old metal Gatherer. **(Keep JD cast hooks)**
2. Remove rear-latching bracket from head.
3. Remove the clutch guard. **(Keep)**
4. Install the **GVL** rear hold-down bracket **(Item #5)** using 3/8" x 1" carriage bolts and nuts provided in the existing holes. **(Leave loose) (Picture #1)**
5. Cut the clutch guard to fit under the rear hold-down bracket and reinstall it.
6. Install the front hinging bracket **(Item #6)** to the front of the front of the **GVL** main frame **(Item #3)** using the 3/8" x 1" carriage bolts and nuts provided. **(Picture #2) (Note: The lip should be to the front and up ward.)**
7. Install JD cast hooks on the front hinging bracket **(Item #6)** using the 3/8" x 1" carriage bolts and nuts provided. **(Leave loose) (Picture #2)**
8. Set the **GVL** Gatherer Shield in place, inserting the hook end first. **(Picture #3)** Next tilt the back down through the rear hold-down pins **(Item #7)**. The pins are tapered to self align.
9. Position the Gatherer Shield and tighten the bolts.
10. Lock the rear of the Shield down with the 5/8" washers **(Item #11)** and lynch pins **(Item #8)** provided. **(Picture #4)**
11. Adjust the hold down pins up or down until the lynch pins fit snug. (Check yearly)
12. Remove the PVC pipe that is around the adjustment chain. **(For shipping and handling purposes only!)**
13. **Tighten all bolts and nuts.**



ITEM NO.	PART NUMBER	DESCRIPTION	QTY.
1	GN 03701	36"/38" CENTER BACK GREEN	1
2	GN 13700	36"/38" CENTER GATHERER FRONT	1
3	UN 13702	38" UNI MAIN FRAME	1
4	UN 13703	36"-38" FRONT GATH BRACKET	1
5	JD 43704	37" REAR HOLD DOWN BRACKET	1
6	JD 43812	38" FRONT HINGING BRACKET	1
7	58-4 HDP	5/8"x4" LG HOLD DOWN PIN	2
8	14-LP	1/4" LYNCH PIN	2
9	14-34 TTS	1/4"x3/4" SELF TAP SCREW	10
10	58-JN	5/8" JAM NUT	2
11	58-W SAE	5/8" SAE WASHER	2
12	516-34 HB	5/16"x3/4" HX HD BOLT	9
13	516-W USS	5/16" USS FLAT WASHER	6
14	38-1 HB	3/8"x1" HX HD BOLT	1
15	38-W USS	3/8" USS FLAT WASHER	3
16	38-1 CB	3/8"x1" CARR BOLT-SHORT NECK	9
17	38-134 THB	3/8" X 1-3/4" PHILLIPS TRUSS HEAD BOLT	4
18	38-FSN	3/8" FLANGE SERRATED NUT	15
19	38-NLN	3/8" NYLON LOCK NUT	2
20	38-3 UB	3/8" X 3" U-BOLT	1
21	12-150 MHB	12X150MM HX HD METRIC BOLT	2
22	12-MLN	12mm METRIC LOCK NUT	2
23	12-W SAE	1/2" SAE WASHER	2
24	PCC-3T6	3/16" PROOF CHAIN T9 LINK	1
25	SN-531	SERIAL NUMBER TAG	1
26	WP-96	WHITE WEAR POINT	1
27	UN 21001	SS WEAR STRIPS-LEFT EDGE	1
28	UN 21002	SS WEAR STRIPS-RIGHT EDGE	1
29	ESB-GVL	GVL EAR SAVER	2
30	516-W F	5/16 FENDER WASHER	4

	NAME	DATE
DRAWN	ALS	6/13/08
REVISED	MLB	10-30-12
ENG APPR.		
MFG APPR.		
Q.A.		
COMMENTS:		

GVL POLY

TITLE:
**JD 38" 40 SERIES
CENTER GVL I**

SIZE B	DWG. NO. JD 43813	REV B
------------------	-----------------------------	-----------------

SCALE: 1:1 | WEIGHT: | SHEET 1 OF 1

PROPRIETARY AND CONFIDENTIAL
THE INFORMATION CONTAINED IN THIS DRAWING IS THE SOLE PROPERTY OF GVL. ANY REPRODUCTION IN PART OR AS A WHOLE WITHOUT THE WRITTEN PERMISSION OF GVL IS PROHIBITED.