



The Original Farmer Designed
 59711 U.S. Hwy 12, Litchfield, MN 55355
 1-888-485-8411

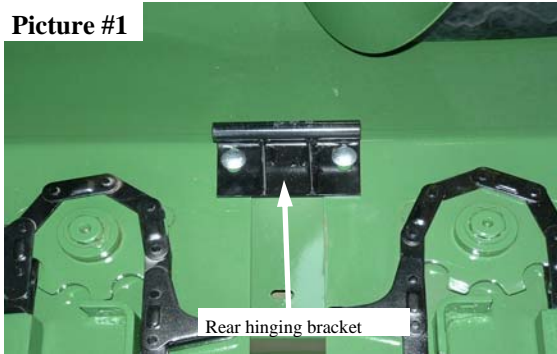
Assembly Instructions

GVL II

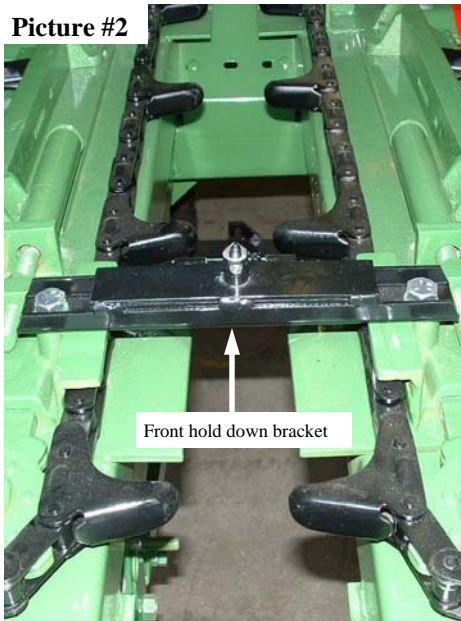
John Deere 40 OR 90 Series

20" Center (JD 42015-S or JD 92015-S)

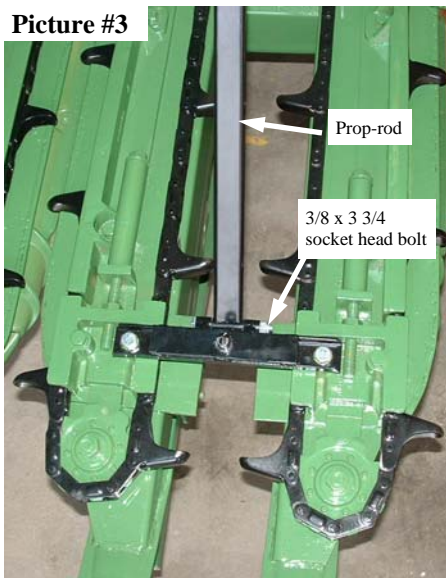
Picture #1



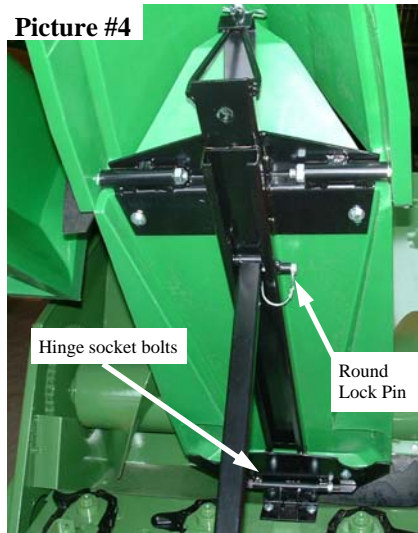
Picture #2



Picture #3



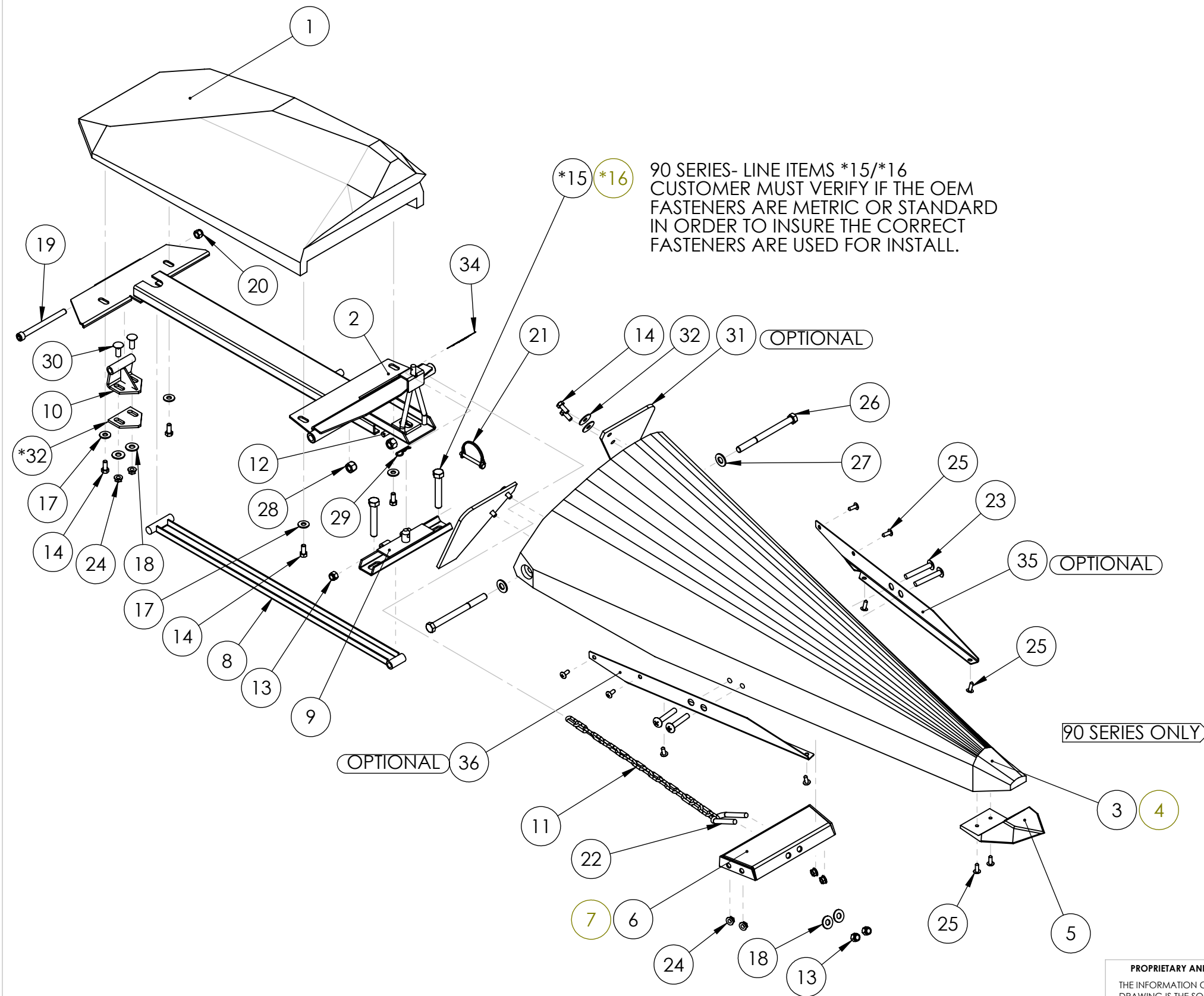
Picture #4



Picture #5



1. Remove old metal Gatherer. **For* 90 Series Only:** Grind the John Deere hold-down pin off flush with the top the chain tightening bracket.
2. Remove rear-latching bracket from head.
3. Install the **GVL** rear hinging bracket using 3/8" x 1" carriage bolts and nuts in the existing holes. (**Leave loose**) (**Picture #1**) (**For 90 Series put spacer between rear bracket and head.**)
4. Remove the inside bolts from the gatherer chain tightening bracket.
5. Mount the front hold down bracket using the 1/2" x 3" hex head bolts. (Provided) Thread the bolts in, and tighten them. (**Picture #2**)
6. Place the unit on the head and connect it the Rear Hinge, using the 10 x 120 mm Socket Bolt, with the 10mm nylon jam lock nut toward the center. (**Picture #4**)
7. Place the Prop Rod with the T end in the slot on the frame. Slide the unit all the way forward to the stop and lock it in place with the round lock pin. Use a 3/8" x 3 3/4" socket head bolt and nylon lock nut to attach to the front hold down. (**Pictures #3 & #4**)
8. Remove the round lock pin. Lower the unit and tighten the 3/8" carriage bolts on the Rear Hinging Bracket. (**Picture #1**)
9. Lock the unit down with the round lock pin. (**Picture #5**)
10. **Tighten all bolts and nuts.**
11. Remove PVC pipe that is around the adjustment chain. (For shipping purposes only)



ITEM NO.	PART NUMBER	DESCRIPTION	QTY.
1	GN 12001	20" CENTER BACK GVL II GREEN	1
2	0560 944.0	20" UNIVERSAL MAIN FRAME GVLII	1
3	GN 12000-S	20" SHORT CENTER GATHERER FRONT GREEN	1
4	GN 12000	20" LONG CENTER GATHERER FRONT GREEN	1
5	WP-96	WHITE WEAR POINT	1
6	UN 12003-S	20" FRONT GATH BRKT-SHORT	1
7	UN 12003	20" FRONT GATH BRKT-LONG	1
8	UN 00007	UNIVERSAL PROP ROD	1
9	JD 42022	20" FRT HOLD DOWN BRKT	1
10	JD 42024	20" REAR HINGE BRKT	1
11	PCC-316	3/16" PROOF CHAIN 19 LINK	1
12	38-334 SHCS	3/8" X 3-3/4" SOCKET HEAD CAP SCREW	1
13	38-NLN	3/8" NYLON LOCK NUT	3
14	516-34 HB	5/16"x3/4" HX HD BOLT	8
*15	12-3 HB	1/2"x3" HX HD BOLT	2
*16	12-75 MHB	12MM X 75MM METRIC HEX HEAD BOLT	2
17	516-W USS	5/16" USS WASHER	4
18	38-W USS	3/8" USS FLAT WASHER	4
19	10-120MSB	10 X 12mm METRIC SCKT BOLT	1
20	10-JM NLN	10 mm JAM NYLON LOCK NUT	1
21	14-134 RLP	1/4"X1 3/4" ROUND LOCKING PIN	1
22	38-3 UB	3/8" X 3" U-BOLT	1
23	38-134 THB	3/8" X 1-3/4" PHILLIPS TRUSS HEAD BOLT	4
24	38-FSN	3/8" FLANGE SERRATED NUT	6
25	14-34 TTS	1/4"x3/4" SELF TAP SCREW	10
26	12-150 MHB	12X150MM HX HD METRIC BOLT	2
27	12-W SAE	1/2" SAE WASHER	2
28	12-MLN	12mm METRIC LOCK NUT	2
29	332-158 HPC	3/32"x1 5/8" HAIR PIN CLIP	1
30	38-1 CB	3/8"x1" CARR BOLT-SHORT NECK	2
31	ESB-GVL	GVL EAR SAVER	2
32	516-W F	5/16 FENDER WASHER	4
*32	JD 92024-1	SPACER-GVLII 20" REAR HINGE BRKT	1
34	SN-531	SERIAL NUMBER TAG	1
35	UN 21001	SS WEAR STRIPS-LEFT EDGE	1
36	UN 21002	SS WEAR STRIPS-RIGHT EDGE	1

	NAME	DATE
DRAWN	ALS	2/25/08
REVISED	MLB	11-19-12
ENG APPR.		
MFG APPR.		
Q.A.		
COMMENTS:		

GVL POLY

TITLE:
**JD 20" 40 or 90
 SERIES-GVL II**

SIZE B	DWG. NO. JD 42015-S or JD 42015 JD 92015-S or JD 92015	REV B
SCALE: 1:9	WEIGHT:	SHEET 1 OF 1

PROPRIETARY AND CONFIDENTIAL
 THE INFORMATION CONTAINED IN THIS
 DRAWING IS THE SOLE PROPERTY OF
 GVL. ANY REPRODUCTION IN PART OR
 AS A WHOLE WITHOUT THE WRITTEN
 PERMISSION OF GVL IS PROHIBITED.