



The Original Farmer Designed
 59711 U.S. Hwy 12, Litchfield, MN 55355
 1-888-485-8411

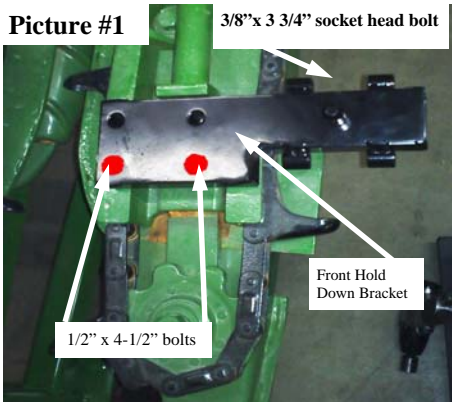
Assembly Instructions

GVL II

John Deere 40 OR 90 Series

30 End Left (JD 46615L or JD 96615L)

Picture #1



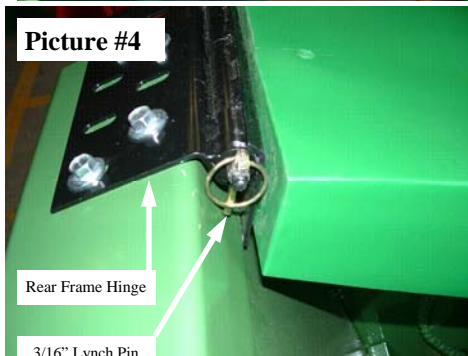
Picture #2



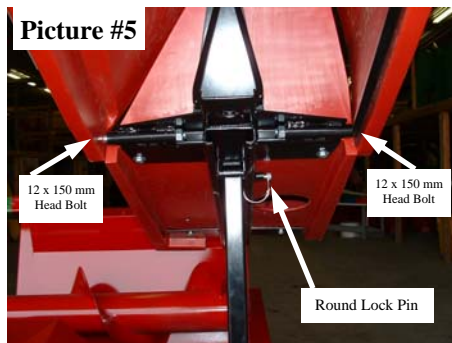
Picture #3



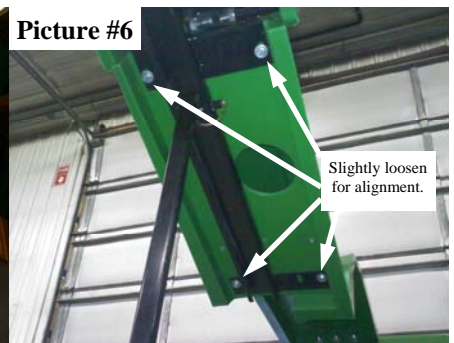
Picture #4



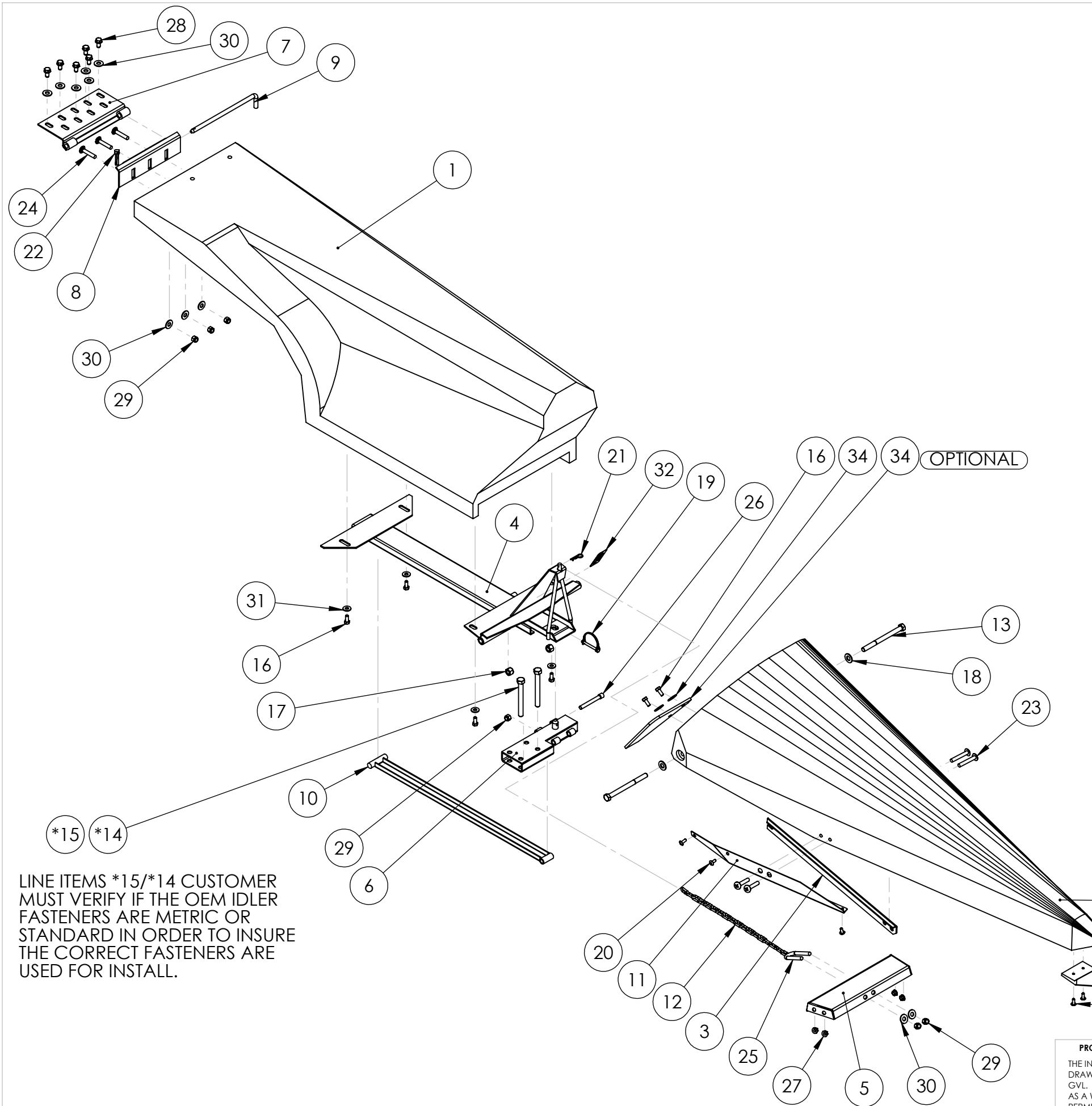
Picture #5



Picture #6



1. Remove old metal Gatherer Shields, brackets and braces. **For *90 Series Only:** Grind the John Deere hold-down pin off flush with the top the chain tightening bracket.
2. Remove the outside bolt from the gatherer chain tightening bracket.
3. Mount the front hold down bracket using the 1/2" x 4 1/2" hex head bolt. (Provided) Thread the bolt in, but leave it loose with the front of the bracket turned outward. **(Picture #1)**
4. Remove the inside bolt from the gatherer chain tightening bracket.
5. Turn the hold down bracket in and insert another 1/2" x 4 1/2" hex head bolt. **(Picture #1)**
6. Tighten all front hold down bolts.
7. Mount the rear gatherer hinge using three 3/8" x 2" carriage bolts, washers and nylon lock nuts. (Leave loose) **(Picture #2)**
8. Set the End Assembly on the head, placing the front hold down pin through the bottom hole of the frame. (Place the 1/4" x 1 3/4" Round lock pin through the hole in the hold down pin.) **(Picture #3)**
9. Slide the frame with the gatherer shield back, so the hold down pin is to the front of the slot of the frame. (Clamp in place.)
10. Assemble the Rear Hinge with the long L-shaped pin and secure it with the 3/16" lynch pin. **(Picture #4)**
11. Position and align the gatherer.
12. Position the Hinge on top of the rear tube and drill 5/16" holes.
13. Fasten the Rear Hinge to the frame with 3/8" x 3/4" self tapping hex head bolts. (Provided) **(Picture #4)**
14. Place the Prop Rod with the T end in the slot of the frame. **(Picture #5)** Use a 3/8" x 3 3/4" socket head bolt and nylon lock nut to attach to the front hold down. **(Picture #1)**
15. **Slightly loosen the 4 frame bolts that attaches the frame to the rear poly from underneath to allow alignment of the hole and the front hold down pin pictured in picture #1. (Picture #6)**
16. After everything is aligned tighten all bolts and nuts.
17. Install the front snout. (Make sure the 1/2" washers are placed on the bolt before putting them through the hole in the plastic.) **(Picture #5)**



ITEM NO.	PART NUMBER	DESCRIPTION	QTY.
1	GN 16611-L	30's END LEFT BACK LONG MF RED	1
2	GN 16600	30's LEFT END GREEN	1
3	UN 00004	STIFFENER-LEFT FRONT	1
4	UN 16722	30's UNIVERSAL END FRAME GVLII	1
5	UN 16603	FRT ADJ GATH BRKT-30 LEFT END	1
6	JD 44723	FRONT HOLD DOWN BRKT	1
7	JD 46724	REAR FRAME HINGE	1
8	JD 46735	REAR GATHERER HINGE JD 40/90 SERIES	1
9	JD 46726	HINGE PIN ENDS	1
10	UN 00007	UNIVERSAL PROP ROD	1
11	UN 21004	SS W STRIP-RIGHT EDGE 30'S END	1
12	PCC-316	3/16" PROOF CHAIN 21 LINK	1
13	12-150 MHB	12X150MM HX HD METRIC BOLT	2
*14	12-412 HB	1/2"x4 1/2" HEX HEAD BOLT	2
*15	12-120 MHB	12MM X 120MM METRIC HEX HEAD BOLT	2
16	516-34 HB	5/16"x3/4" HX HD BOLT	6
17	12-MLN	12mm METRIC LOCK NUT	2
18	12-W SAE	1/2" SAE WASHER	2
19	14-134 RLP	1/4"X1 3/4" ROUND LOCKING PIN	1
20	14-34 TTS	1/4"x3/4" SELF TAP SCREW	5
21	332-158 HPC	3/32"x1 5/8" HAIR PIN CLIP	1
22	316-LP	3/16" LYNCH PIN	1
23	38-134 THB	3/8" X 1-3/4" PHILLIPS TRUSS HEAD BOLT	4
24	38-2 CB	3/8"x2 CARR BOLT	3
25	38-3 UB	3/8" X 3" U-BOLT	1
26	38-334 SHCS	3/8" X 3-3/4" SOCKET HEAD CAP SCREW	1
27	38-FSN	3/8" FLANGE SERRATED NUT	4
28	38-34 HWH	3/8"x 3/4" SELF TAP HEX HB	6
29	38-NLN	3/8" NYLON LOCK NUT	6
30	38-W USS	3/8" USS FLAT WASHER	11
31	516-W USS	5/16" USS WASHER	4
32	SN-531	SERIAL NUMBER TAG	1
33	WP-96	Wear Point	1
34	ES-GVL	GVL EAR SAVER	1
34	516-W F	5/16 FENDER WASHER	2

LINE ITEMS *15/*14 CUSTOMER MUST VERIFY IF THE OEM IDLER FASTENERS ARE METRIC OR STANDARD IN ORDER TO INSURE THE CORRECT FASTENERS ARE USED FOR INSTALL.

PROPRIETARY AND CONFIDENTIAL
 THE INFORMATION CONTAINED IN THIS DRAWING IS THE SOLE PROPERTY OF GVL. ANY REPRODUCTION IN PART OR AS A WHOLE WITHOUT THE WRITTEN PERMISSION OF GVL IS PROHIBITED.

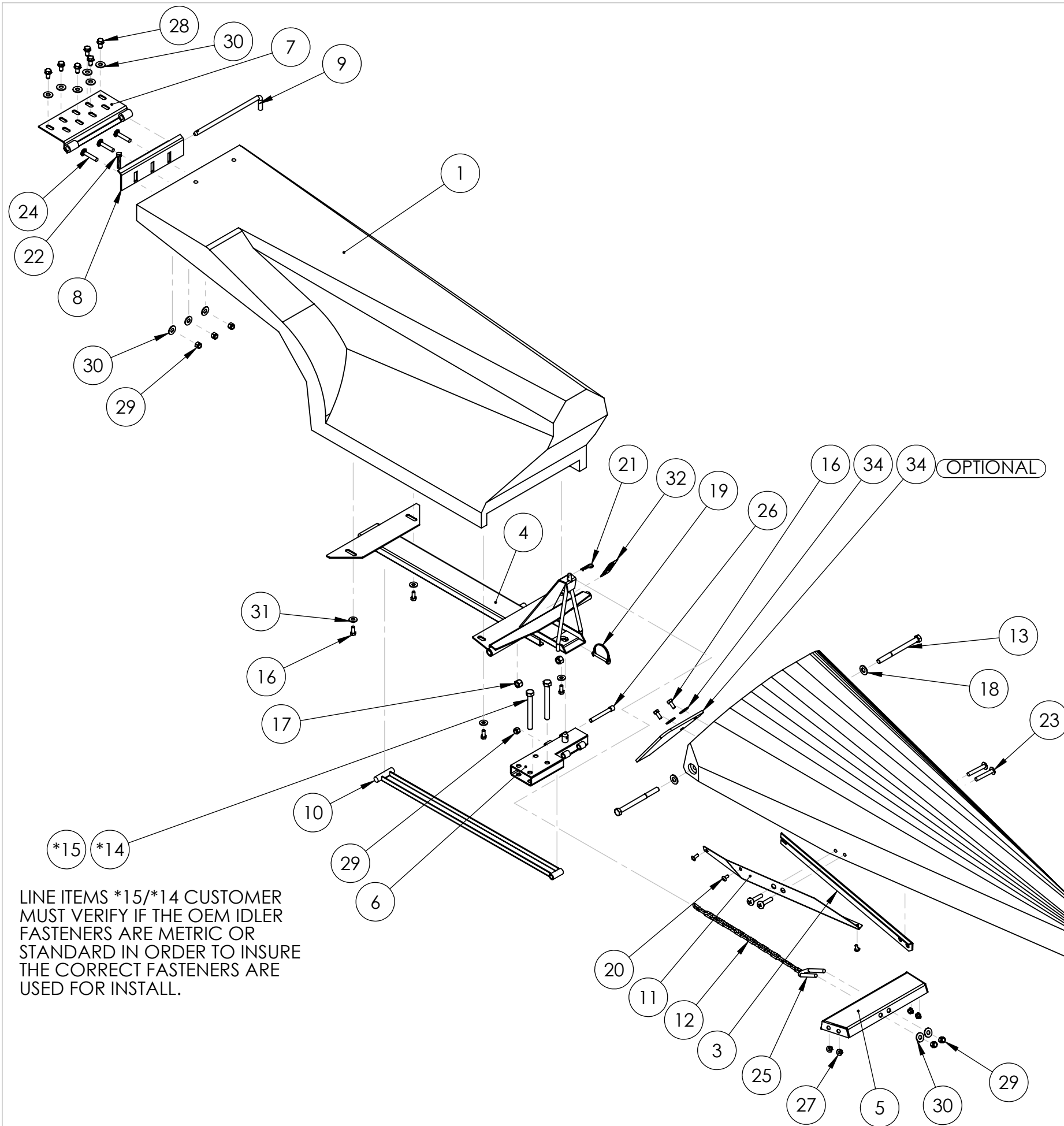
	NAME	DATE
DRAWN	ALS	3/6/08
REVISED	MLB	04-09-13
ENG APPR.		
MFG APPR.		
Q.A.		
COMMENTS:		

GVL POLY

TITLE: **JD 30's LEFT END 40 SERIES GVL II**

SIZE	DWG. NO.	REV
B	JD 46615L	C

SCALE: 1:12 WEIGHT: SHEET 1 OF 1



ITEM NO.	PART NUMBER	DESCRIPTION	QTY.
1	GN 16611-L	30's END LEFT BACK LONG MF RED	1
2	GN 16600	30's LEFT END GREEN	1
3	UN 00004	STIFFENER-LEFT FRONT	1
4	UN 16722	30's UNIVERSAL END FRAME GVLII	1
5	UN 16603	FRT ADJ GATH BRKT-30 LEFT END	1
6	JD 44723	FRONT HOLD DOWN BRKT	1
7	JD 46724	REAR FRAME HINGE	1
8	JD 46735	REAR GATHERER HINGE JD 40/90 SERIES	1
9	JD 46726	HINGE PIN ENDS	1
10	UN 00007	UNIVERSAL PROP ROD	1
11	UN 21004	SS W STRIP-RIGHT EDGE 30'S END	1
12	PCC-316	3/16" PROOF CHAIN 21 LINK	1
13	12-150 MHB	12X150MM HX HD METRIC BOLT	2
*14	12-412 HB	1/2"x4 1/2" HEX HEAD BOLT	2
*15	12-120 MHB	12MM X 120MM METRIC HEX HEAD BOLT	2
16	516-34 HB	5/16"x3/4" HX HD BOLT	6
17	12-MLN	12mm METRIC LOCK NUT	2
18	12-W SAE	1/2" SAE WASHER	2
19	14-134 RLP	1/4"X1 3/4" ROUND LOCKING PIN	1
20	14-34 TTS	1/4"x3/4" SELF TAP SCREW	5
21	332-158 HPC	3/32"x1 5/8" HAIR PIN CLIP	1
22	316-LP	3/16" LYNCH PIN	1
23	38-134 THB	3/8" X 1-3/4" PHILLIPS TRUSS HEAD BOLT	4
24	38-2 CB	3/8"x2 CARR BOLT	3
25	38-3 UB	3/8" X 3" U-BOLT	1
26	38-334 SHCS	3/8" X 3-3/4" SOCKET HEAD CAP SCREW	1
27	38-FSN	3/8" FLANGE SERRATED NUT	4
28	38-34 HWH	3/8"x 3/4" SELF TAP HEX HB	6
29	38-NLN	3/8" NYLON LOCK NUT	6
30	38-W USS	3/8" USS FLAT WASHER	11
31	516-W USS	5/16" USS WASHER	4
32	SN-531	SERIAL NUMBER TAG	1
33	WP-96	Wear Point	1
34	ES-GVL	GVL EAR SAVER	1
34	516-W F	5/16 FENDER WASHER	2

LINE ITEMS *15/*14 CUSTOMER MUST VERIFY IF THE OEM IDLER FASTENERS ARE METRIC OR STANDARD IN ORDER TO INSURE THE CORRECT FASTENERS ARE USED FOR INSTALL.

PROPRIETARY AND CONFIDENTIAL
 THE INFORMATION CONTAINED IN THIS DRAWING IS THE SOLE PROPERTY OF GVL. ANY REPRODUCTION IN PART OR AS A WHOLE WITHOUT THE WRITTEN PERMISSION OF GVL IS PROHIBITED.

NAME		DATE	GVL POLY TITLE: JD 30's LEFT END 90 SERIES GVL II SIZE DWG. NO. REV B JD 96615L C SCALE: 1:12 WEIGHT: SHEET 1 OF 1
DRAWN	ALS	3/6/08	
REVISED	MLB	04-09-13	
ENG APPR.			
MFG APPR.			
COMMENTS:			