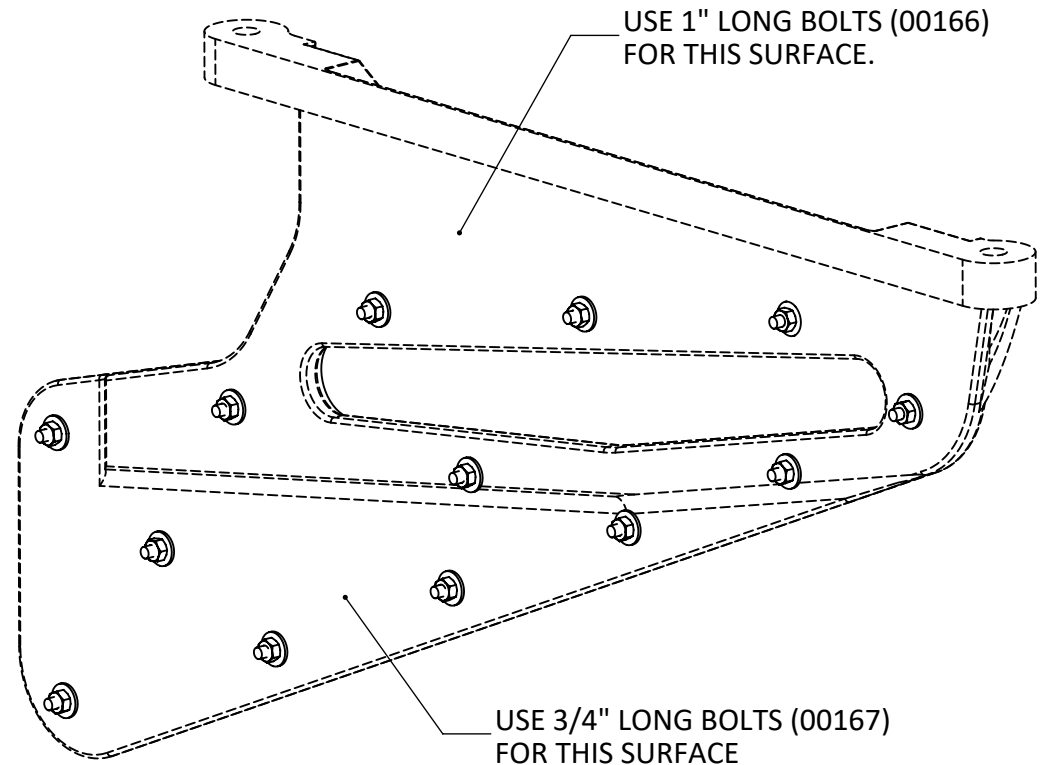
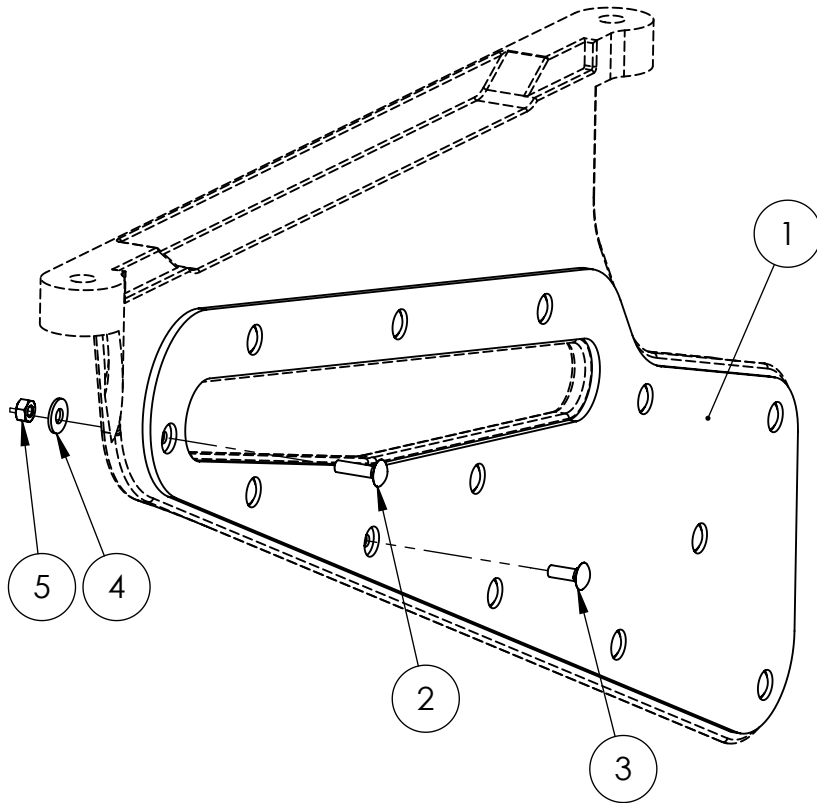


42124
ROW DIVIDER SHIELD
 JOHN DEERE 600 SERIES CHOPPING CORN HEAD
 20/22" ROW SPACING

ITEM #	PART #	DESCRIPTION	QTY
1	22500	ROW DIVIDER SHIELD	1
2	00166	BOLT, 1/4"-20 X 1" CARRIAGE	7
3	00167	BOLT, 1/4"-20 X 3/4" CARRIAGE	6
4	00468	Washer Flat 1/4 SAE	13
5	00205	NUT, 1/4"-20 TOP LOCK	13



INSTALLATION:

- 1) MARK HOLE LOCATIONS ON THE OEM RUBBER DIVIDER USING THE POLY SHIELD AS A TEMPLATE
- 2) DRILL THE REQUIRED HOLE PATTERN FOR INSTALLATION USING A 1/4" DRILL BIT (NOT PROVIDED)
- 3) POSITION THE SHIELD, AND SECURE IN PLACE WITH THE PROVIDED HARDWARE



120 Eastgate Drive SE
 PO Box 7
 Hutchinson, MN 55350

1-800-788-6483
 1-320-587-2322
 1-320-587-6112 (Fax)

WWW.MAYWES.COM