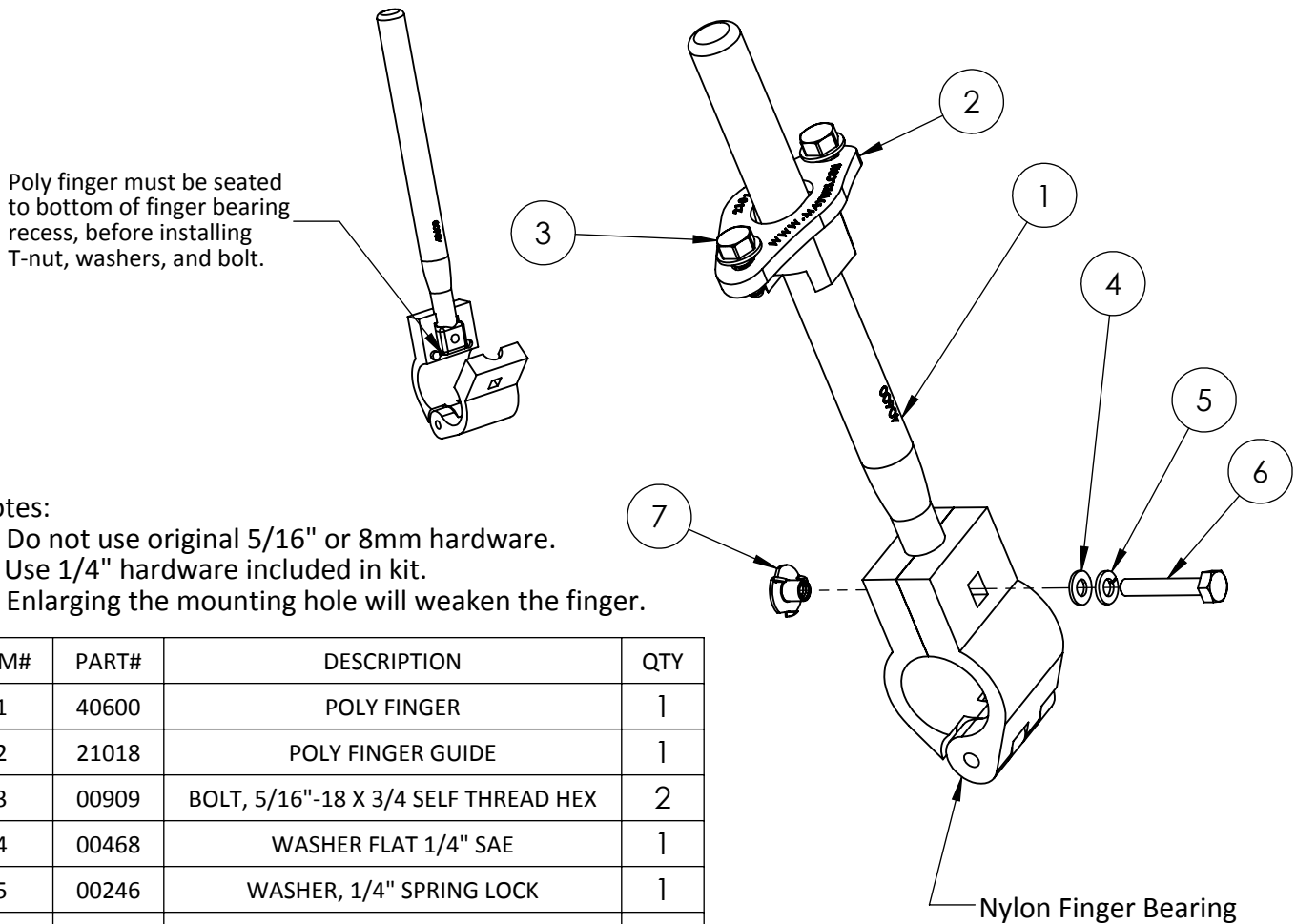


John Deere 200 & 900 Series Poly Retractable Finger Instruction Sheet

1. Remove bolt from the existing nylon finger bearing, then remove finger.
2. Inspect the nylon finger bearing for wear or damage.
3. Remove existing finger guide, remove any burrs from the opening in the auger skin.
4. Install finger guide on the outside of the auger skin. Secure using supplied hardware.
5. Press the T-nut into the nylon finger bearing.
6. Position the nylon finger bearing onto the auger cam shaft, where it was removed.
7. Install the poly finger into the nylon finger bearing, using the supplied 1/4" hardware.
8. When the finger is retracted to the maximum, it should retain contact with the guide. Also, recheck the clearance between the extended finger and the auger floor.



Notes:

1. Do not use original 5/16" or 8mm hardware. Use 1/4" hardware included in kit.
2. Enlarging the mounting hole will weaken the finger.

ITEM#	PART#	DESCRIPTION	QTY
1	40600	POLY FINGER	1
2	21018	POLY FINGER GUIDE	1
3	00909	BOLT, 5/16"-18 X 3/4 SELF THREAD HEX	2
4	00468	WASHER FLAT 1/4" SAE	1
5	00246	WASHER, 1/4" SPRING LOCK	1
6	00052	BOLT 1/4" X 1-1/2" HEX	1
7	00712	NUT 1/4"-20 TEE WITH 1/4" BARREL	1



120 Eastgate Drive SE
PO Box 7
Hutchinson, MN 55350

1-800-788-6483
1-320-587-2322
1-320-587-6112 (Fax)

WWW.MAYWES.COM