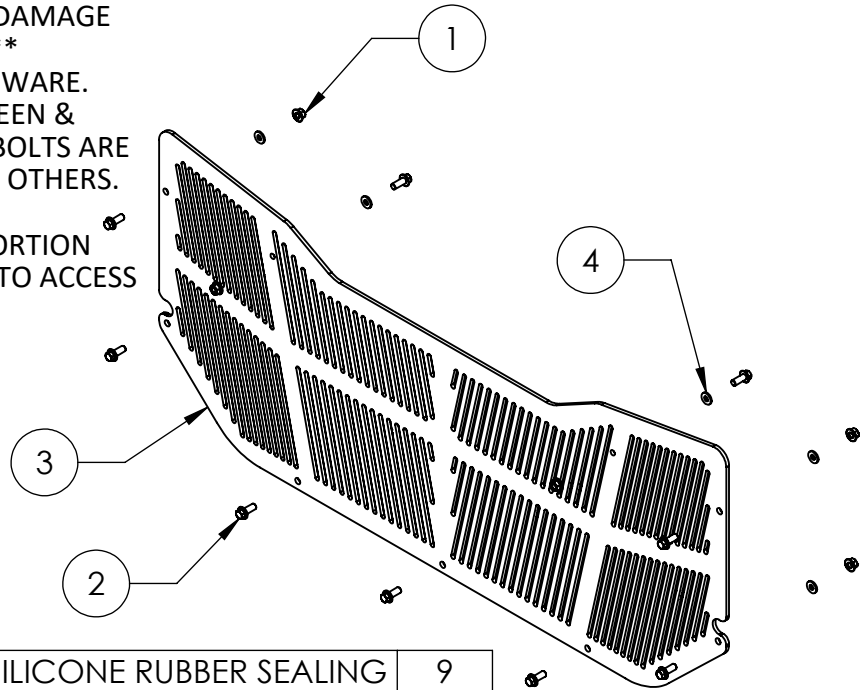


Installation Instructions

85018 - Rear Debris Screen

PLEASE REFER TO YOUR EQUIPMENT MANUFACTURER'S OPERATORS MANUAL FOR PERTINENT SAFETY PRECAUTIONS

1. HOLD SCREEN AGAINST BACK DOOR IN DESIRED POSITION AND MARK HOLES TO BE DRILLED
2. DRILL HOLES USING 7/16" DRILL BIT. **USE CAUTION WHEN DRILLING TO PREVENT DAMAGE TO COMPONENTS ON INSIDE OF DOOR.**
3. MOUNT SCREEN USING INCLUDED HARDWARE. PLACE RUBBER WASHERS BETWEEN SCREEN & DOOR. NOTE: THE TWO UPPER CENTER BOLTS ARE INSTALLED OPPOSITE DIRECTION OF THE OTHERS. (FIGURE 1)
4. THE SHEET METAL ON INSIDE, LOWER PORTION OF THE DOOR WILL NEED TO BE REMOVED TO ACCESS THE LOWER BOLTS. (FIGURE 2)



4	01211	WASHER, 3/8 SILICONE RUBBER SEALING	9
3	23216	SCREEN, REAR DOOR	1
2	01183	BOLT, M10 X 25 MM FLANGE	9
1	01177	NUT, M10 - 1.5 FLANGE	9
ITEM NO.	PART NUMBER	DESCRIPTION	QTY.



Figure 1



Figure 2



120 Eastgate Drive SE
Hutchinson, MN 55350

1-800-788-6483
1-320-587-2322
1-320-587-6112 (Fax)

WWW.MAYWES.COM