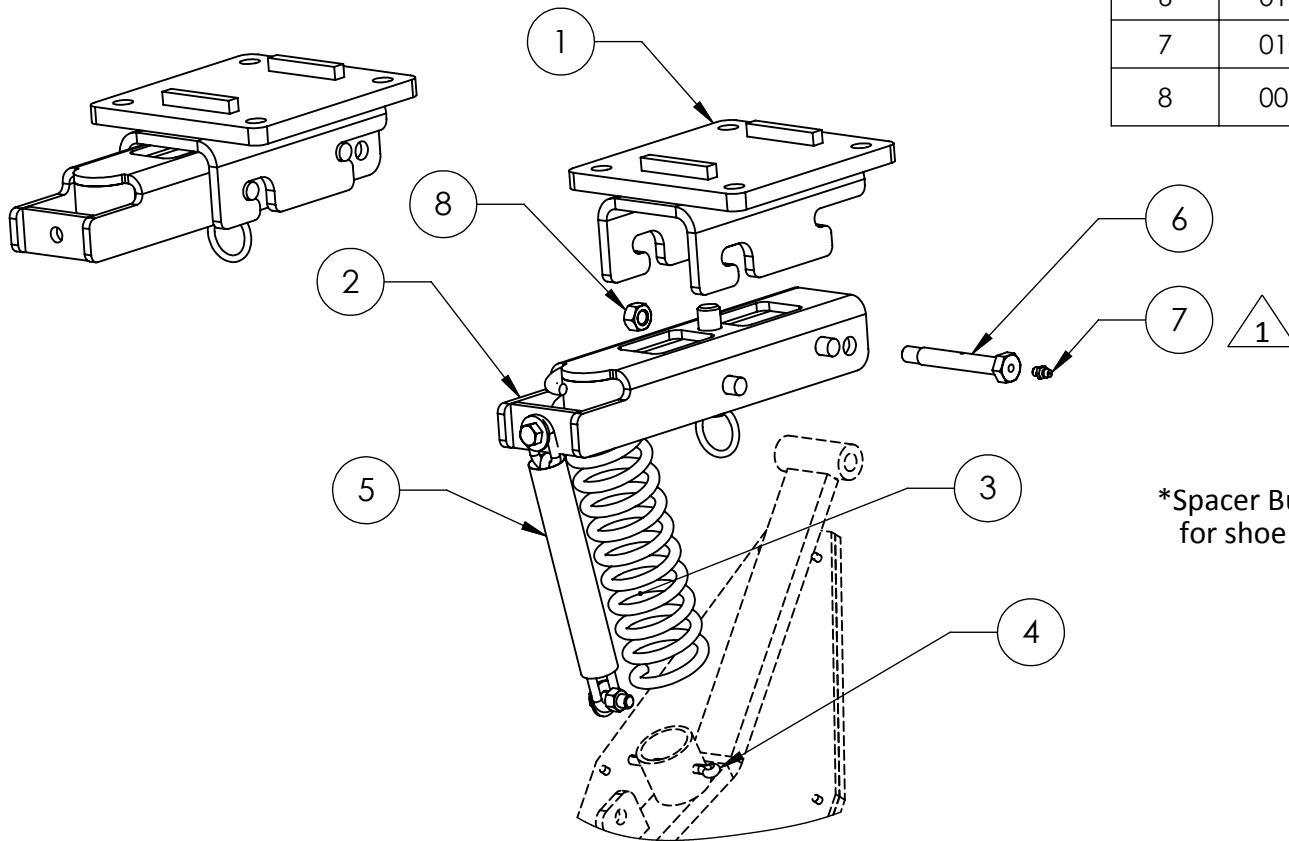
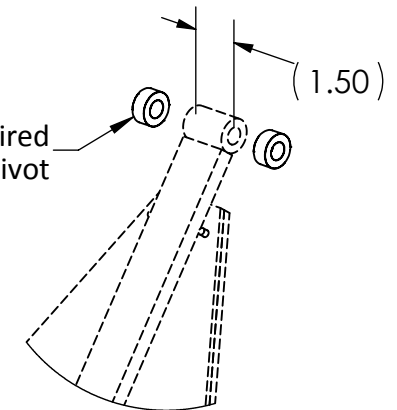


43024
QD TO QD2 UPGRADE KIT
CASE IH 2200, 2400, 3200, 2400 SERIES
NEW HOLLAND 96C, 96D, 98C, 98D, 996 SERIES
ALL ROWS EXCEPT 3 & 10 ON 12 ROW HEADS
(UPGRADES ONE PAIR)

ITEM #	PART #	DESCRIPTION	QTY
1	43008	QD2 HEADER BRACKET	2
2	43004	SHOE BRACKET ASSY	2
3	01040	SPRING	2
4	00691	PIN, 1/4" X 3" COTTER	2
5	01046	CHAIN SLEEVE	2
6	01001	BOLT, CUSTOM (GREASEABLE)	2
7	01009	GREASE FITTING, 1/4"-28 STRAIGHT	2
8	00213	NUT, 7/16"-14 HEX TOP LOCK	2



*Spacer Bushings required for shoe with 1.50" pivot



Standard Mount Shoe
(1.50" pivot)

*Bushing Kit **42217** is required to upgrade Standard Mount to QD2.
One Bushing Kit required per Upgrade Kit.

NOTES:

- 1 Install Self-Tapping Grease Fitting into end of Pivot Bolt.
Torque grease fitting to 65-70 inch pounds. DO NOT OVERTIGHTEN!



120 Eastgate Drive SE
PO Box 7
Hutchinson, MN 55350

1-800-788-6483
1-320-587-2322
1-320-587-6112 (Fax)

WWW.MAYWES.COM