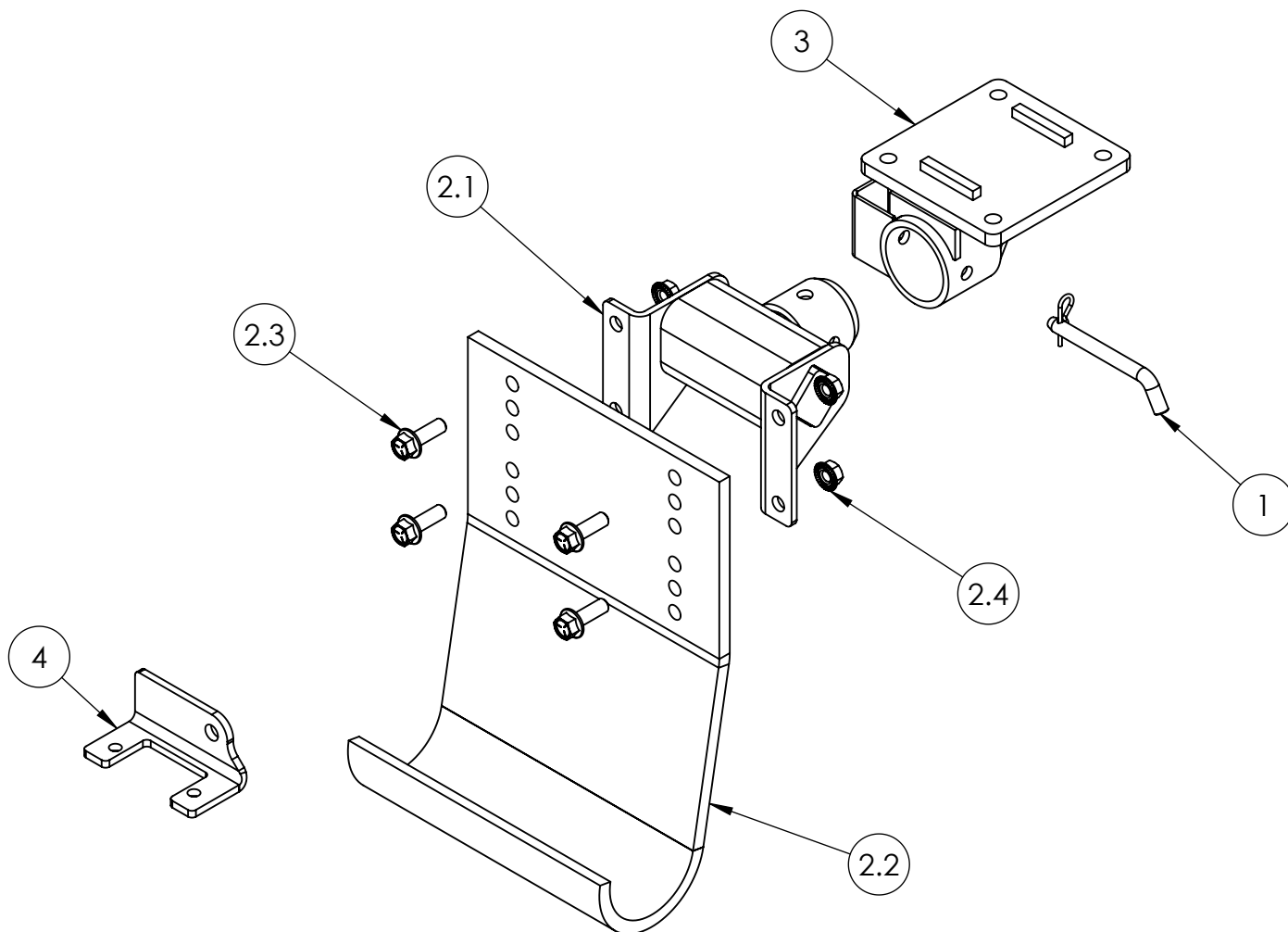


CASE IH 2200/2400/3200/3400 - NEW HOLLAND 96C/96D/98C/98D/996 G4 STALK STOMPER PARTS LISTING/ASSEMBLY INSTRUCTIONS



NOTES:

1 Item 4 is optional and not included in the kit, please order separately

ITEM #	PART #	DESCRIPTION	QTY
1	01130	PIN, 1/2" X 4" BENT HITCH	1
2.1	42295	STALK STOMPER TORSION ASSY	1
2.2	22726	SHOE, STALK STOMPER	1
2.3	00729	BOLT, 1/2"-13 X 1-1/2" HEX FLANGE	4
2.4	00730	NUT, 1/2"-13 HEX FLANGE	4
3	42353	HEADER BRACKET	1
4	22043	MOUNT BRACKET (OPTIONAL)	



120 Eastgate Drive SE
Hutchinson, MN 55350

1-800-788-6483
1-320-587-2322
1-320-587-6112 (Fax)

WWW.MAYWES.COM

CASE IH 2200/2400/3200/3400 - NEW HOLLAND 96C/96D/98C/98D/996 STALK STOMPER INSTALLATION

Safety Procedure:

- Park combine on level ground and engage the parking brake.
- Raise the head and lock in the upright position.
- Support all row units that stalk stompers will be installed on to ensure row units remain stationary during installation.

Installation Procedure:

- Remove the factory gearbox support brackets (Fig. 1). Replace with Header Bracket (42353) positioning the mount plate as pictured below in Figure 2.
- **Note:** If installing stalk stomper on the same row that the deck plate cylinder is attached; replace the factory mounting bracket with Mount Bracket (22043) which is not included in the kit, please order separately (Fig. 3).
- Insert the Stalk Stomper Assy (43100) into mating feature in the Header Bracket (42353). Insert lock pin to secure stomper assy in place.

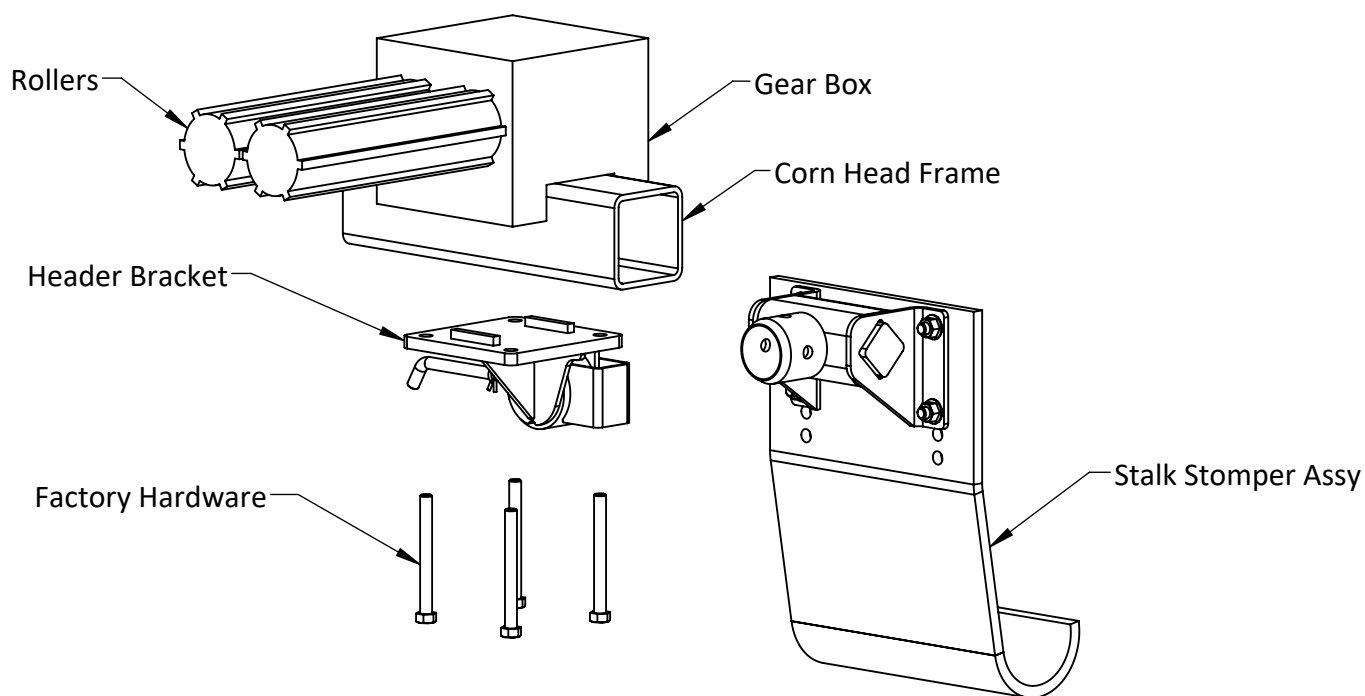


Figure 2

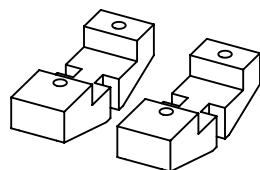


Figure 1
Gear Box
Support Brackets

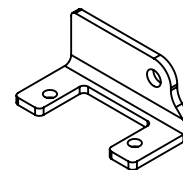


Figure 3
Deck Plate
Mount Bracket
(Optional)