

# Installation Instructions

## Case IH 1250 Planter Stalk Stompers

### CAUTION

PLEASE REFER TO YOUR EQUIPMENT MANUFACTURER'S OPERATORS MANUAL FOR PERTINENT SAFETY PRECAUTIONS

1. Unfold planter to access front side of toolbar
2. Install mount brackets (43117) on front side of toolbar and secure by placing mounting straps (22690) on the back side of toolbar and fasten using supplied 1/2" x 8-1/2" bolts and lock nuts (Figure 1)
3. Secure 2x2 toolbar to mount brackets using supplied u-bolts (00986) and flange nuts (figure 2)
4. Align G4 stalk stomper shoes with center of tire(s) and secure with supplied u-bolts (00986) and flange nuts (Figure 2)

### IMPORTANT

Read all instructions before starting installation

#### **Setup/Operating Recommendations:**

May Wes stalk stompers are intended to be setup/operated with minimal to no ground contact and minimal spring pressure during field operation. To achieve the recommended operating setup, with the planter parked on a hard, level surface lower the planter to field operating height. With the planter at operating height, the stalk stompers should be running on the ground to approximately 1 inch above the ground.

#### **Maintenance Recommendations:**

Your May Wes G4 stalk stompers should require minimal maintenance during operation. During routine equipment maintenance, visually inspect the stalk stompers and mounting brackets for any damaged parts and repair or replace as necessary. Check all mounting hardware to ensure tightness and retighten if necessary.

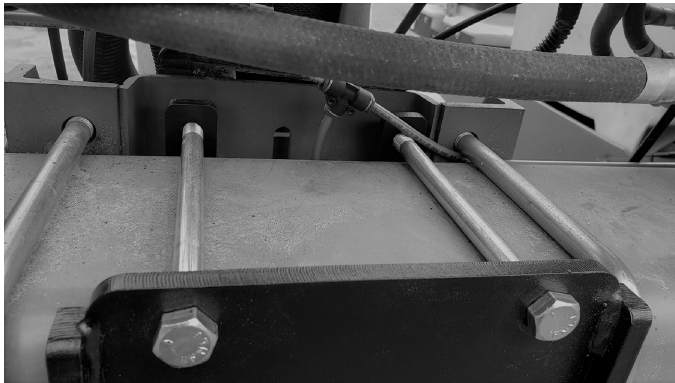


Figure 1

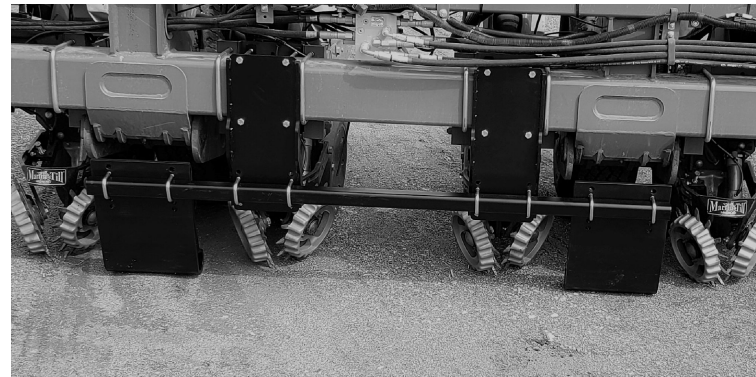


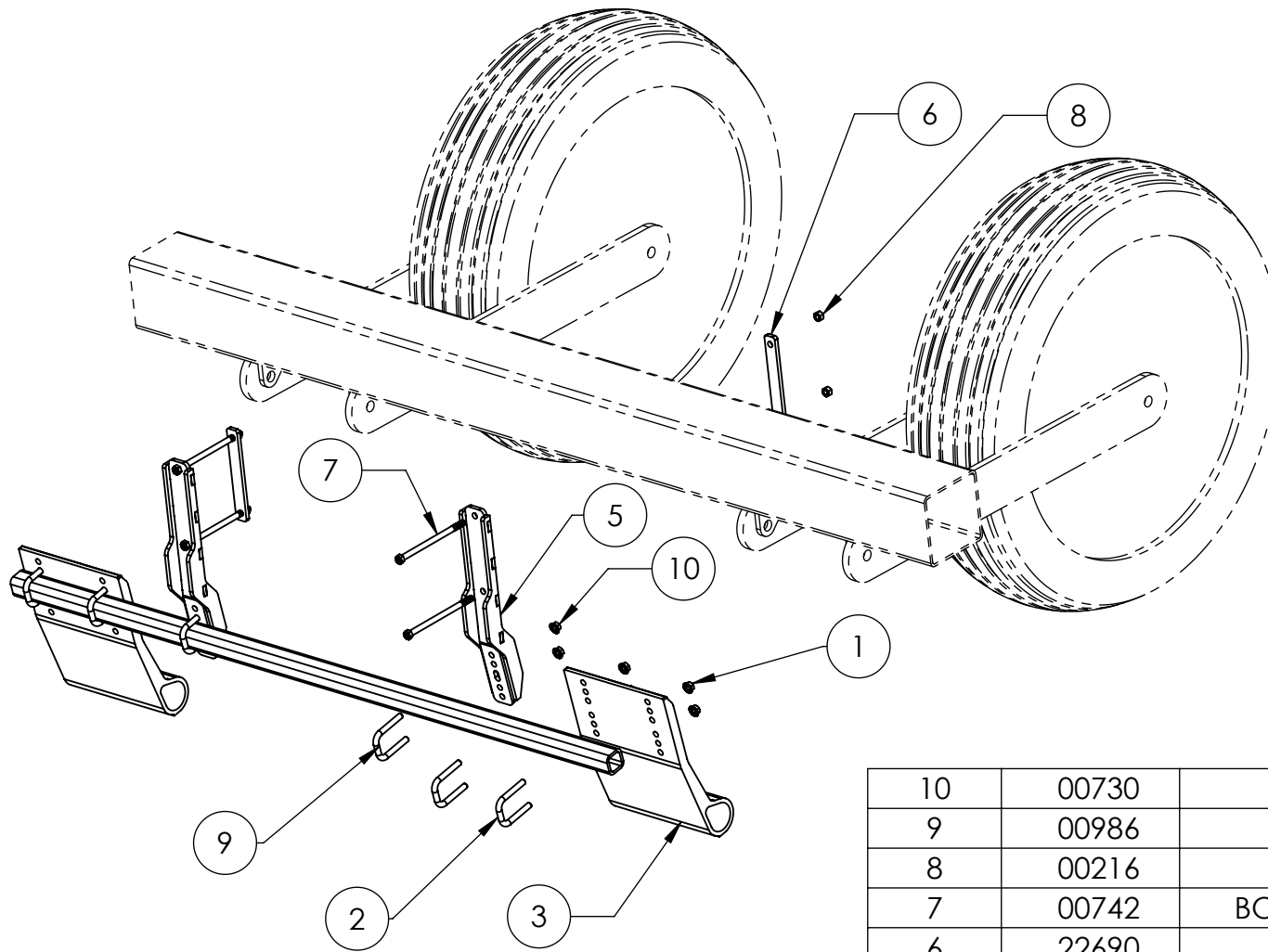
Figure 2



120 Eastgate Drive SE  
Hutchinson, MN 55350

1-800-788-6483  
1-320-587-2322  
1-320-587-6112 (Fax)

[WWW.MAYWES.COM](http://WWW.MAYWES.COM)



10	00730	NUT, 1/2"-13 HEX FLANGE	8
9	00986	U-BOLT 1/2"-13 X 2"	4
8	00216	NUT, 1/2"-13 TOP LOCK	8
7	00742	BOLT, 1/2-13 X 8-1/2 GR5 ZINC	8
6	22690	STRAP	4
5	43117	BRACKET, PLANTER NARROW	4
4	41672	72" TOOLBAR	2
3	24100	SHOE, G4 MOLDED	4
2	00986	U-BOLT 1/2"-13 X 2"	8
1	00730	NUT, 1/2"-13 HEX FLANGE	16
ITEM #	PART #	DESCRIPTION	QTY



120 Eastgate Drive SE  
Hutchinson, MN 55350

1-800-788-6483  
1-320-587-2322  
1-320-587-6112 (Fax)

WWW.MAYWES.COM