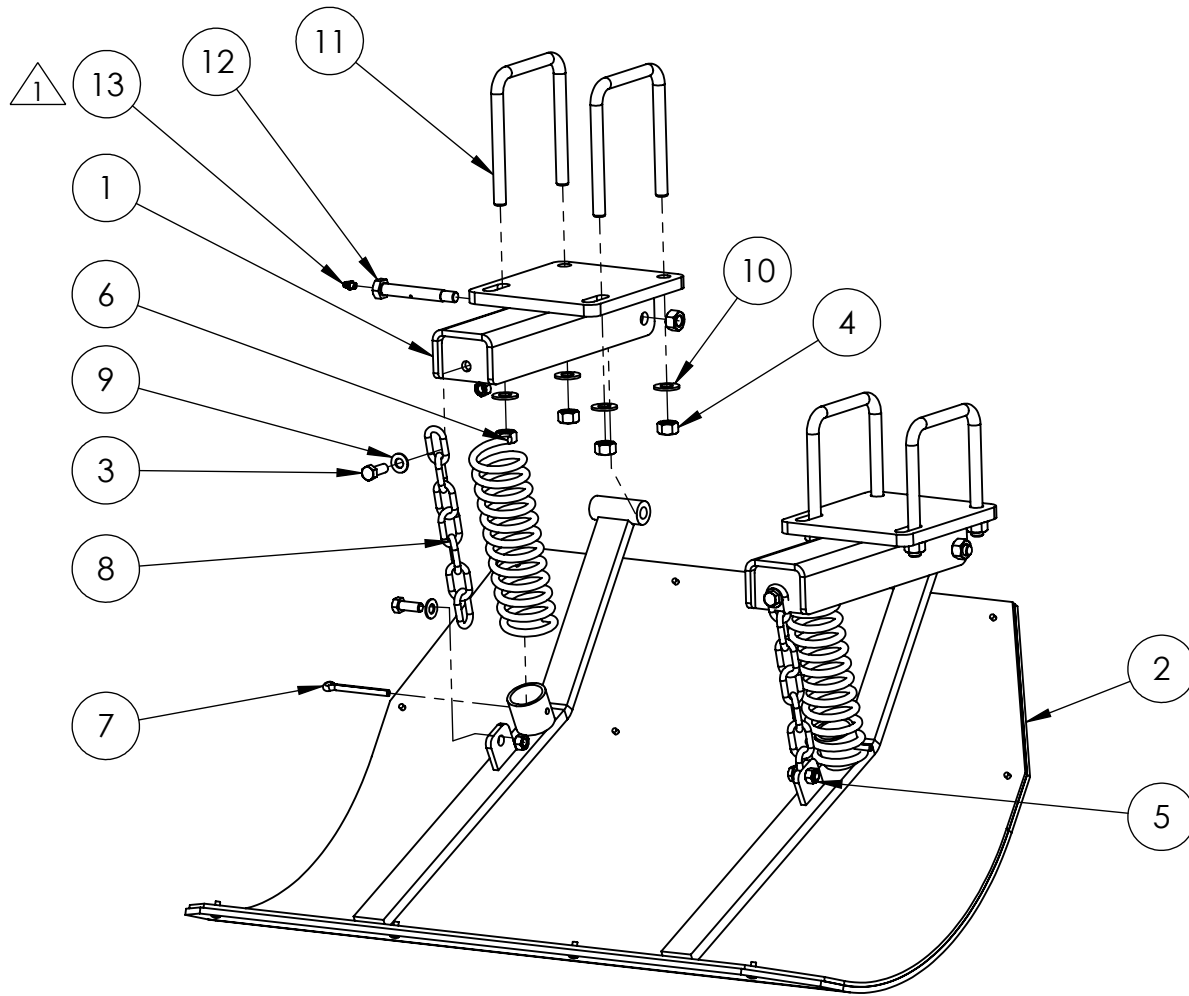


41732
32" STALK STOMPER ASSEMBLY
 TRACTOR STALK STOMPER
 PARTS LISTING



Note:

1 Install Self-Tapping Grease Fitting into end of Pivot Bolt.
 Torque grease fitting to 65-70 inch pounds. **DO NOT OVERTIGHTEN!**

ITEM#	PART#	DESCRIPTION	QTY	ITEM#	PART#	DESCRIPTION	QTY
1	40986	CONNECTOR BRACKET	2	8	00931	CHAIN	2
2	41733	32" SS SHOE W/POLY	1	9	00249	WASHER, 3/8" FLAT SAE	4
3	00104	BOLT, 3/8"-16 X 1" HEX	4	10	00253	WASHER, 1/2" FLAT SAE	8
4	00216	NUT, 1/2"-13 TOP LOCK	10	11	00965	U-BOLT 1/2-13	4
5	00211	NUT, 3/8"-16 TOP LOCK	4	12	01001	BOLT, CUSTOM (GREASEABLE)	2
6	40649	SPRING	2	13	01009	GREASE FITTING, 1/4"-28 STRAIGHT	2
7	00691	PIN, 1/4" X 3" COTTER	2				



120 Eastgate Drive SE
PO Box 7
Hutchinson, MN 55350

1-800-788-6483
1-320-587-2322
1-320-587-6112 (Fax)

WWW.MAYWES.COM

41732
32" STALK STOMPER ASSEMBLY
TRACTOR STALK STOMPER
PARTS LISTING

Safety Procedure:

-Park tractor on level ground and engage parking brake.

Installation Procedure:

-At assembly, set chain tension to allow for 18" operating position as shown below in Figure 1.
-Mount Stalk Stomper Assy(s)* to the 4" x 4" x 1/4" (sidewall) Toolbar* (purchased or customer supplied) as shown below in Figure 2. Position Stalk Stomper Assy(s)* centered with tractor tires/tracks.

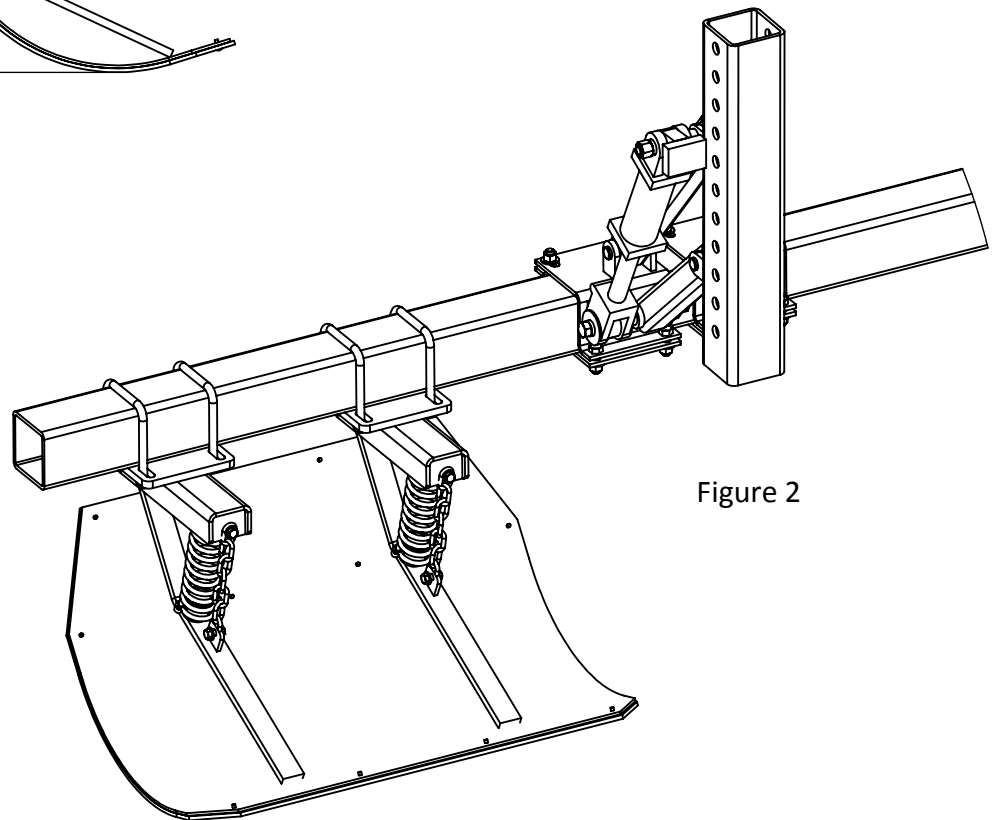
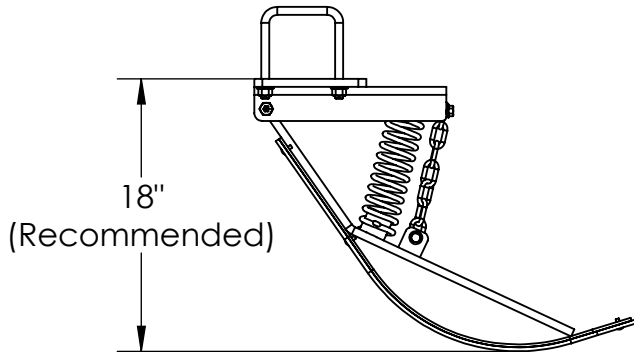


Figure 2

* Number of Stalk Stomper Assemblies and length of Toolbar will vary depending on tractor configuration.



120 Eastgate Drive SE
PO Box 7
Hutchinson, MN 55350

1-800-788-6483
1-320-587-2322
1-320-587-6112 (Fax)

WWW.MAYWES.COM