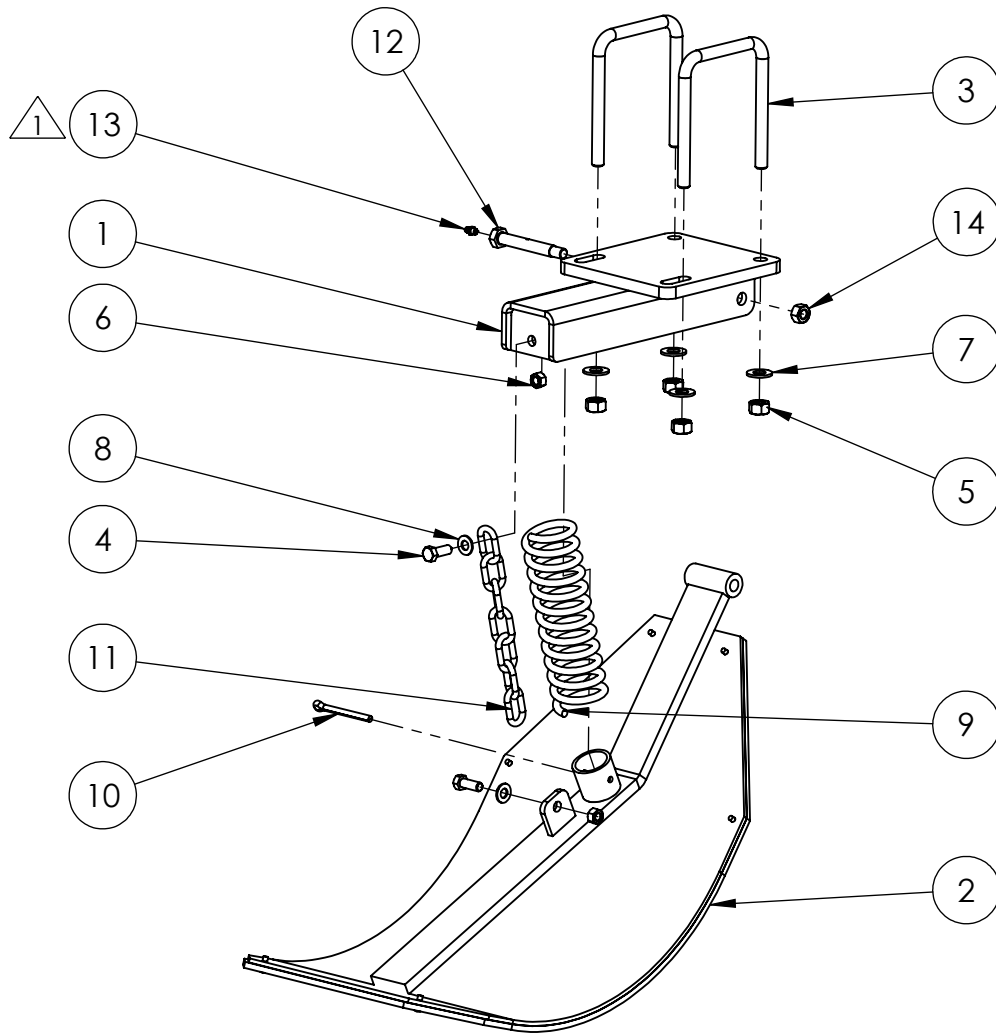


42014
14" STALK STOMPER ASSEMBLY
 TRACTOR STALK STOMPER
 PARTS LISTING



Note:

1 Install Self-Tapping Grease Fitting into end of Pivot Bolt.
 Torque grease fitting to 65-70 inch pounds. DO NOT OVERTIGHTEN!

ITEM#	PART#	DESCRIPTION	QTY	ITEM#	PART#	DESCRIPTION	QTY
1	40986	CONNECTOR BRACKET	1	8	00249	WASHER, 3/8" FLAT SAE	2
2	41748	14" SHOE W/POLY	1	9	40649	SPRING	1
3	00965	U-BOLT 1/2-13	2	10	00691	PIN, 1/4" X 3" COTTER	1
4	00104	BOLT, 3/8"-16 X 1" HEX	2	11	00931	CHAIN	1
5	00216	NUT, 1/2"-13 TOP LOCK	4	12	01001	BOLT, CUSTOM (GREASEABLE)	1
6	00211	NUT, 3/8"-16 TOP LOCK	2	13	01009	GREASE FITTING, 1/4"-28 STRAIGHT	1
7	00253	WASHER, 1/2" FLAT SAE	4	14	00213	NUT, 7/16"-14 HEX TOP LOCK	1



120 Eastgate Drive SE
PO Box 7
Hutchinson, MN 55350

1-800-788-6483
1-320-587-2322
1-320-587-6112 (Fax)

WWW.MAYWES.COM

42014
14" STALK STOMPER ASSEMBLY
TRACTOR STALK STOMPER
PARTS LISTING

Safety Procedure:

-Park tractor on level ground and engage parking brake.

Installation Procedure:

-At assembly, set chain tension to allow for 18" operating position as shown below in Figure 1.
-Mount Stalk Stomper Assy* to the 4" x 4" x 1/4" (sidewall) Toolbar* (purchased or customer supplied) as shown below in Figure 2. Position Stalk Stomper Assy* centered with tractor tires/tracks.

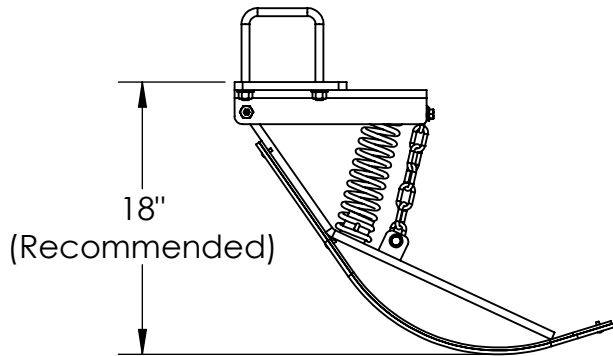


Figure 1

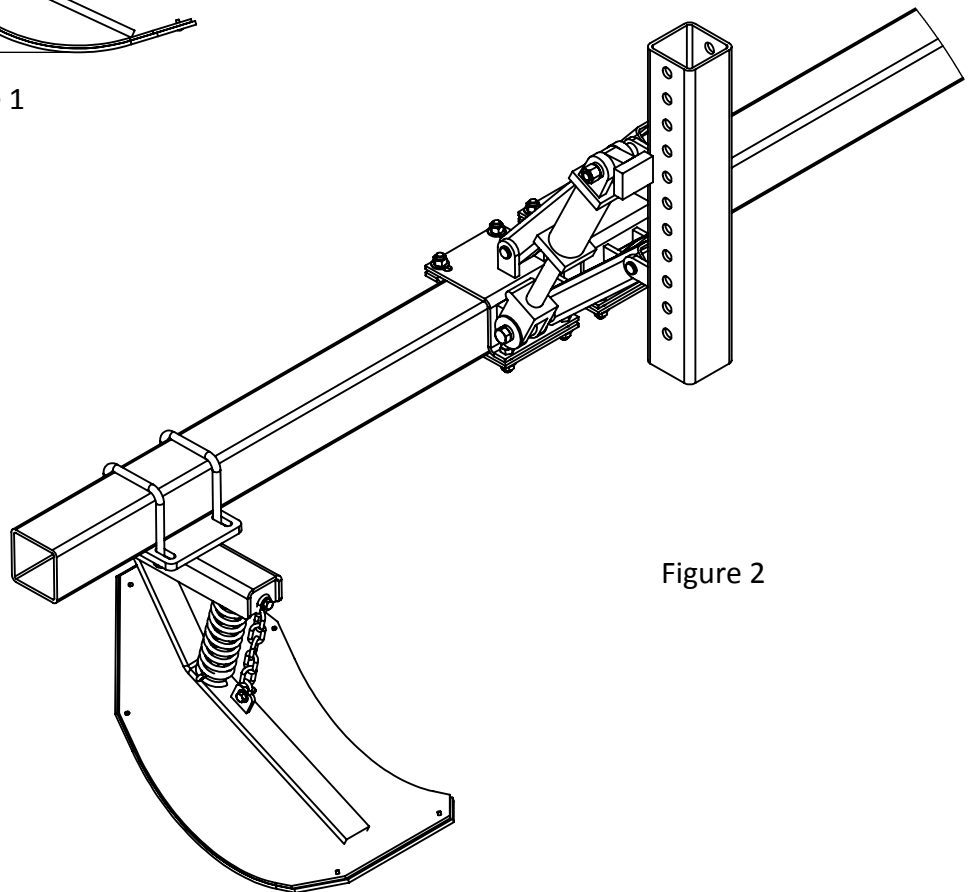


Figure 2



120 Eastgate Drive SE
PO Box 7
Hutchinson, MN 55350

1-800-788-6483
1-320-587-2322
1-320-587-6112 (Fax)

WWW.MAYWES.COM