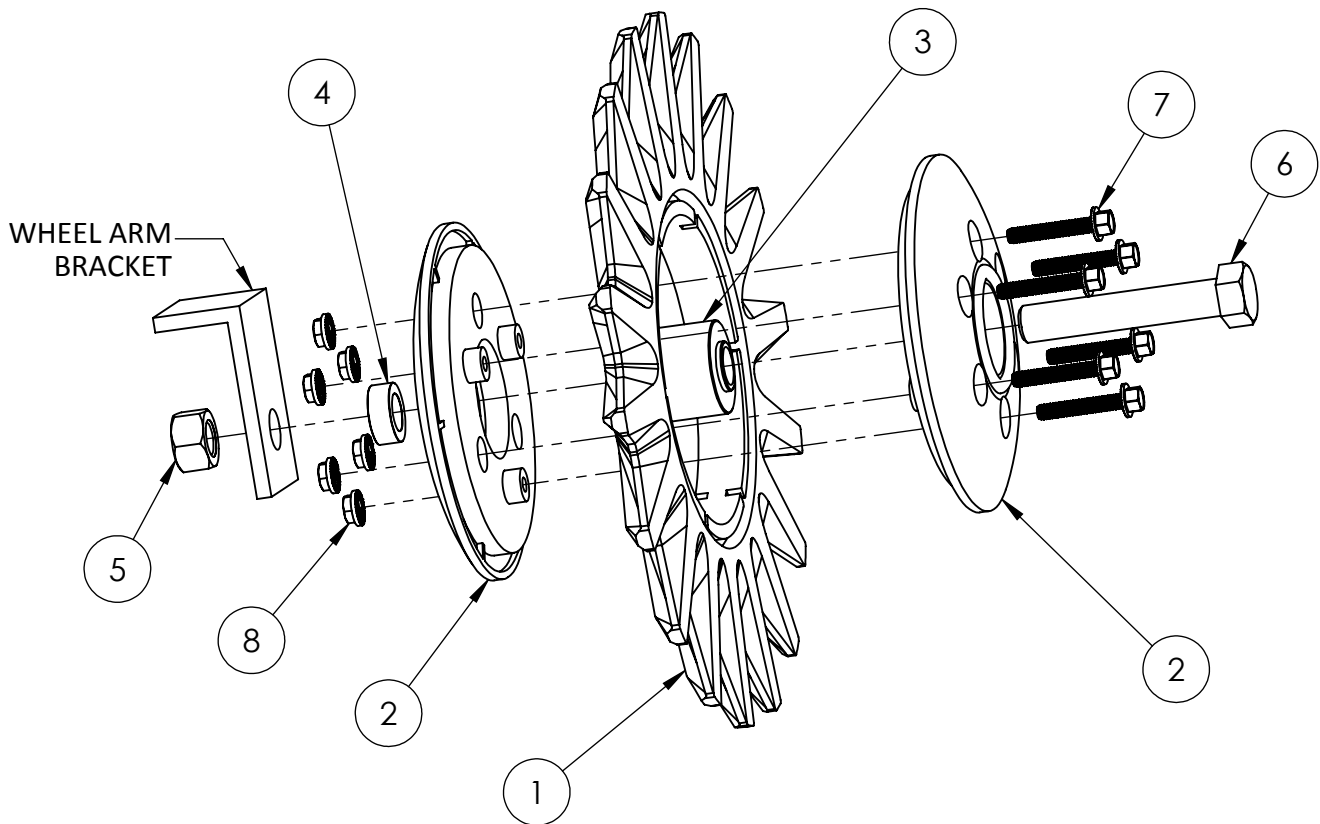


**41490**  
**PLANTER CLOSING WHEEL INSTRUCTIONS**  
 JOHN DEERE 1700, WHITE 6100, KINZE (NEW)

1. Remove the old style wheel from the wheel arm bracket.
2. Position new poly star wheel with the flat side of the wheel away from the wheel arm axle. (see diagram)
3. Secure using supplied hardware.

**NOTE:**

- a) Due to surface area reduction, the star wheel design will require less spring pressure. We suggest starting at zero pressure and adjusting up to satisfaction.
- b) The star wheel is recommended to be used with a seed firmer device to press the seed into the furrow prior to the closing wheel function. This is important for proper soil to seed contact.



ITEM#	PART#	DESCRIPTION	QTY	ITEM#	PART#	DESCRIPTION	QTY
1	20874	CLOSING WHEEL 12" STAR	1	5	00197	NUT, 5/8"-11 TOP LOCK	1
2	41493	CW BEARING HUB 5/8	2	6	00018	BOLT, 5/8"-11 X 3-1/2" HEX	1
3	22072	CW BEARING 5/8 - AXIAL IND	1	7	00915	BOLT, 1/4"-20 X 1-1/2" FLANGE HEX	6
4	22073	INSERT BUSHING	1	8	00917	NUT, 1/4"-20 FLANGE LOCK HEX	6



**120 Eastgate Drive SE**  
**PO Box 7**  
**Hutchinson, MN 55350**

**1-800-788-6483**  
**1-320-587-2322**  
**1-320-587-6112 (Fax)**

**WWW.MAYWES.COM**