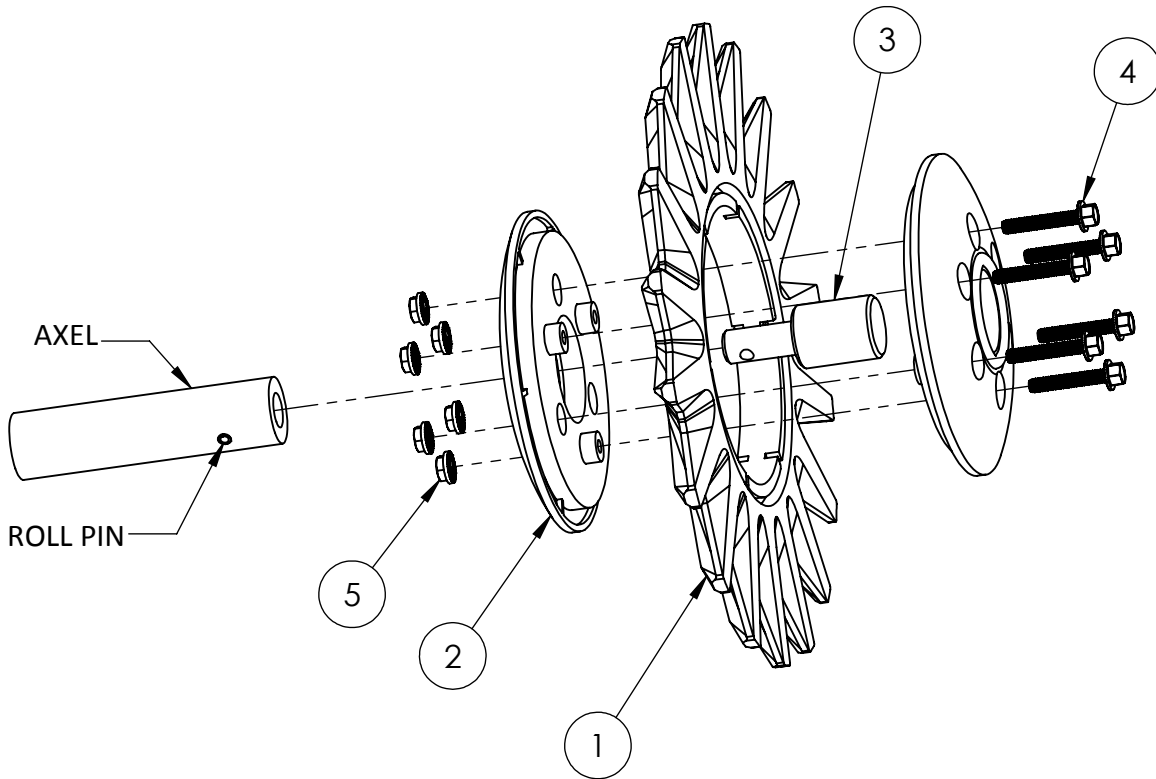


40666
PLANTER CLOSING WHEEL INSTRUCTIONS
 JOHN DEERE 7000/7100, KINZE (OLD)

1. Remove the old style wheel from the wheel arm axle.
2. Replace with new poly star wheel onto the axle and secure with a rollpin.

NOTE:

- a) Due to surface area reduction, the star wheel design will require less spring pressure. We suggest starting at zero pressure and adjusting up to satisfaction.
- b) The star wheel is recommended to be used with a seed firmer device to press the seed into the furrow prior to the closing wheel function. This is important for proper soil to seed contact.



ITEM#	PART#	DESCRIPTION	QTY	ITEM#	PART#	DESCRIPTION	QTY
1	20874	CLOSING WHEEL 12" STAR	1	4	00915	BOLT, 1/4"-20 X 1-1/2" FLANGE HEX	6
2	40738	CW HUB WATERPUMP	2	5	00917	NUT, 1/4"-20 FLANGE LOCK HEX	6
3	20869	CW BEARING WATERPUMP	1				



120 Eastgate Drive SE
PO Box 7
Hutchinson, MN 55350

1-800-788-6483
1-320-587-2322
1-320-587-6112 (Fax)

WWW.MAYWES.COM