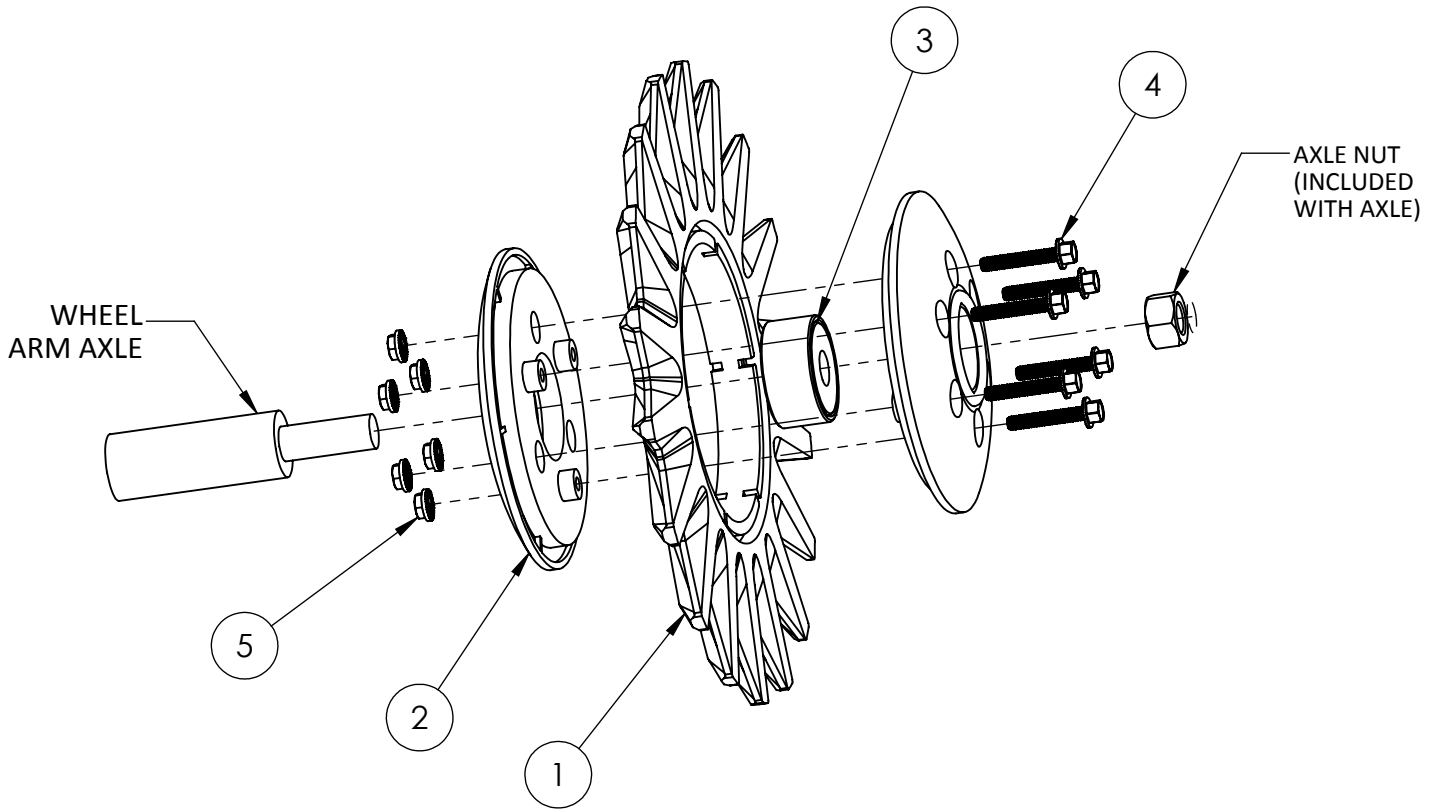


40706
PLANTER CLOSING WHEEL INSTRUCTIONS
 JOHN DEERE 7200/7300, 1850 AIR SEEDER, 750 DRILL

1. Remove the old style wheel from the wheel arm bracket.
2. Position new poly star wheel with the flat side of the wheel away from the wheel arm axle. (see diagram)
3. Secure using supplied hardware.

NOTE:

- a) Due to surface area reduction, the star wheel design will require less spring pressure. We suggest starting at zero pressure and adjusting up to satisfaction.
- b) The star wheel is recommended to be used with a seed firmer device to press the seed into the furrow prior to the closing wheel function. This is important for proper soil to seed contact.



ITEM#	PART#	DESCRIPTION	QTY	ITEM#	PART#	DESCRIPTION	QTY
1	20874	CLOSING WHEEL 12" STAR	1	4	00915	BOLT, 1/4"-20 X 1-1/2" FLANGE HEX	6
2	40874	CW HUB DUAL-BEARING BLACK	2	5	00917	NUT, 1/4"-20 FLANGE LOCK HEX	6
3	40728	CW BEARING METRIC (17mm/.669)	1				



120 Eastgate Drive SE
PO Box 7
Hutchinson, MN 55350

1-800-788-6483
1-320-587-2322
1-320-587-6112 (Fax)

WWW.MAYWES.COM